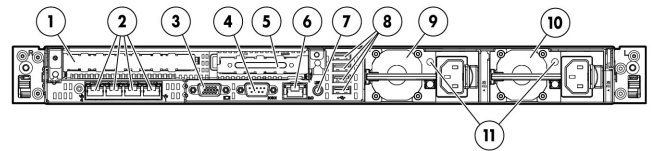
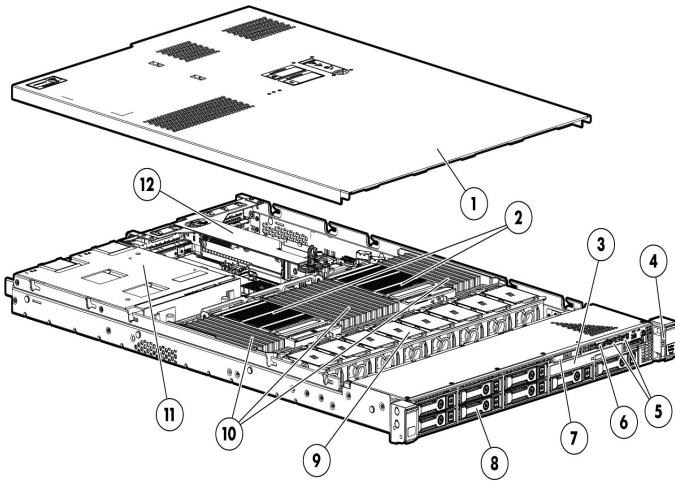


Overview

Performance driven compute with storage density - ideal for enterprise applications. Industry leading performance, efficiency, capacity and reliability. Enterprise enhanced design for all workloads with versatility for future requirements. A space conscious 2-processor server with industry leading feature sets. Built to protect your investment and extend the life with reliability, accessibility and serviceability features designed in.



Front View:

1. Hood Cover
2. Up to two Intel® E5-2600v2 or E5-2600 Series processors
3. Optical Disk Drive Bay
4. Active Health and Network Status LEDs
5. 2 USB Connectors
6. Video connector (requires Front Video Adapter Kit)
7. Slide-out System Insight Display (SID)
8. Hard Drive Bays
9. Removable hot-plug fan modules for easy serviceability
10. 24 DIMM slots: DDR3 Registered (RDIMM), Load Reduced (LRDIMM) or Unbuffered (UDIMM) memory
11. Redundant Hot Plug Power Supplies (upgradeable option)
12. Removable Riser Cage assembly for 2 x PCIe 3.0 Slots

Rear View:

1. PCIe 3.0 Full-height/half length x16 expansion slot
2. FlexibleLOM ports (Shown: 4 ports 1Gb each /Optional: 2 ports 10Gb each)
3. Video connector
4. Serial connector
5. PCIe 3.0 Low Profile x8 expansion slot
6. iLO Management Engine NIC connector
7. Unit ID LED/button
8. 4 USB connectors
9. Power supply bay 2 (Shown populated: Optional Power Supply for Redundant Power)
10. Power supply bay 1 (Primary Power Supply)
11. Power Supplies Health/Activity Indicators

What's New

- New E5-2600 processor option kits with new screw down heatsinks for BTO and CTO server upgrades built after September/October 2013

Standard Features

NOTE: For the Standard Features shipped in the "Factory Integrated Models", please see the "Configuration Information - Factory Integrated Models" section.

Processor

One of the following depending on Model

E5-2600 v2 series Processors

Entry Processors

NOTE: All support up to 1333MHz DDR3 memory speeds.

Intel® Xeon® E5-2609 v2 (2.5GHz/4-core/10MB/6.4GT-s QPI/80W)

Intel® Xeon® E5-2603 v2 (1.8GHz/4-core/10MB/6.4GT-s QPI/80W)

Base Processors

NOTE: All support up to 1600MHz DDR3 memory speeds.

Intel® Xeon® E5-2640 v2 (2.0GHz/8-core/20MB/7.2GT-s QPI/95W, DDR3-1600, HT, Turbo2-3/3/3/3/3/3/4/5)

Intel® Xeon® E5-2630 v2 (2.6GHz/6-core/15MB/7.2GT-s QPI/80W, DDR3-1600, HT, Turbo2-3/3/3/3/4/5)

Intel® Xeon® E5-2620 v2 (2.1GHz/6-core/15MB/7.2GT-s QPI/80W, DDR3-1600, HT, Turbo2-3/3/3/3/4/5)

Intel® Xeon® E5-2650L v2 (1.7GHz/10-core/25MB/8.0GT-s QPI/70W, DDR3-1600, HT, Turbo2-2/2/2/2/2/2/2/3/4)

Intel® Xeon® E5-2630L v2 (2.4GHz/6-core/15MB/7.2GT-s QPI/60W, DDR3-1600, HT, Turbo2-2/2/2/2/3/4)

Performance Processors

NOTE: All support up to 1866MHz DDR3 memory speeds.

Intel® Xeon® E5-2697 v2 (2.7GHz/12-core/30MB/8.0GT-s QPI/130W, DDR3-1866, HT, Turbo2-3/3/3/3/3/3/3/4/5/6/7/8)

Intel® Xeon® E5-2695 v2 (2.4GHz/12-core/30MB/8.0GT-s QPI/115W, DDR3-1866, HT, Turbo2-4/4/4/4/4/4/4/4/5/6/7/8)

Intel® Xeon® E5-2690 v2 (3.0GHz/10-core/25MB/8.0GT-s QPI/130W, DDR3-1866, HT, Turbo2-3/3/3/3/3/3/3/4/5/6)

Intel® Xeon® E5-2680 v2 (2.8GHz/10-core/25MB/8.0GT-s QPI/115W, DDR3-1866, HT, Turbo2-3/3/3/3/3/4/5/6/7/8)

Intel® Xeon® E5-2670 v2 (2.5GHz/10-core/25MB/8.0GT-s QPI/115W, DDR3-1866, HT, Turbo2-4/4/4/4/4/4/5/6/7/8)

Intel® Xeon® E5-2667 v2 (3.3GHz/8-core/25MB/8.0GT-s QPI/130W, DDR3-1866, HT, Turbo2-3/3/3/3/4/5/6/7)

Intel® Xeon® E5-2660 v2 (2.2GHz/10-core/25MB/8.0GT-s QPI/95W, DDR3-1866, HT, Turbo2-4/4/4/4/4/4/5/6/7/8)

Intel® Xeon® E5-2650 v2 (2.6GHz/8-core/20MB/8.0GT-s QPI/95W, DDR3-1866, HT, Turbo2-4/4/4/4/5/6/7/8)

Intel® Xeon® E5-2643 v2 (3.5GHz/6-core/25MB/8.0GT-s QPI/130W, DDR3-1866, HT, Turbo2-1/1/1/1/2/3)

Intel® Xeon® E5-2637 v2 (3.5GHz/4-core/15MB/8.0GT-s QPI/130W, DDR3-1866, HT, Turbo2-1/1/2/3)

E5-2600 series Processors

Entry Processors

NOTE: All support up to 1066MHz memory speeds.

Intel® Xeon® E5-2609 (2.4GHz/4-core/10MB/6.4GT-s QPI/80W)

Intel® Xeon® E5-2603 (1.8GHz/4-core/10MB/6.4GT-s QPI/80W)

Base Processors

NOTE: All support up to 1333MHz DDR3 memory speeds.

Standard Features

Intel® Xeon® E5-2640 (2.5GHz/6-core/15MB/7.2GT-s QPI/95W, DDR3-1333, HT, Turbo2- 3/3/4/4/5/5)
Intel® Xeon® E5-2630 (2.3GHz/6-core/15MB/7.2GT-s QPI/95W, DDR3-1333, HT, Turbo2- 3/3/4/4/5/5)
Intel® Xeon® E5-2620 (2.0GHz/6-core/15MB/7.2GT-s QPI/95W, DDR3-1333, HT, Turbo2- 3/3/4/4/5/5)
Intel® Xeon® E5-2630L (2.0GHz/6-core/15MB/8.0GT-s QPI/60W, DDR3-1333, HT, Turbo2- 3/3/4/4/5/5)

Performance Processors

NOTE: All support up to 1600MHz DDR3 memory speeds.

Intel® Xeon® E5-2690 (2.9GHz/8-core/20MB/8.0GT-s QPI/135W, DDR3-1600, HT, Turbo2- 4/4/4/5/5/7/7/9)

Intel® Xeon® E5-2680 (2.7GHz/8-core/20MB/8.0GT-s QPI/130W, DDR3-1600, HT, Turbo2- 4/4/5/5/5/7/8/8)

Intel® Xeon® E5-2670 (2.6GHz/8-core/20MB/8.0GT-s QPI/115W, DDR3-1600, HT, Turbo2- 4/4/5/5/6/6/7/7)

Intel® Xeon® E5-2667 (2.9GHz/6-core/15MB/8.0GT-s QPI/130W, DDR3-1600, HT, Turbo2- 3/3/3/4/5/6)

Intel® Xeon® E5-2665 (2.4GHz/8-core/20MB/8.0GT-s QPI/115W, DDR3-1600, HT, Turbo2- 4/4/5/5/6/6/7/7)

Intel® Xeon® E5-2660 (2.2GHz/8-core/20MB/8.0GT-s QPI/95W, DDR3-1600, HT, Turbo2- 5/5/6/6/7/7/8/8)

Intel® Xeon® E5-2650 (2.0GHz/8-core/20MB/8.0GT-s QPI/95W, DDR3-1600, HT, Turbo2- 4/4/5/5/5/7/8/8)

Intel® Xeon® E5-2650L (1.8GHz/8-core/20MB/8.0GT-s QPI/70W, DDR3-1600, HT, Turbo2- 2/2/3/3/4/4/5/5)

Intel® Xeon® E5-2643 (3.3GHz/4-core/10MB/8.0GT-s QPI/130W, DDR3-1600, HT, Turbo2- 1/1/2/2)

Intel® Xeon® E5-2637 (3.0GHz/2-core/5MB/8.0GT-s QPI/80W, DDR3-1600, HT, Turbo2- 5/5)

NOTE: HT indicates that the processor model supports Intel® Hyper-Threading Technology.

NOTE: Turbo indicates the maximum potential frequency increment when using Intel® Turbo Boost Technology, with 8, 7, 6, 5, 4, 3, 2 or 1 core(s) active.

NOTE: DDR3 speed is the maximum memory speed of the processor. Actual memory speed may depend on the quantity and type of DIMMs installed.

NOTE: Up to 2 processors supported. Mixing different processor models is not supported.

NOTE: For the Intel® C600 Chipset E5-2600 Series, the letter preceding the model number indicates the Product Line (E3, E5, E7); 2600x, 2 = number of CPUs in a Node, 6 is socket/segment designation, 00 = Processor SKU, and x = L for low power SKUs.

Standard Features

Cache Memory

One of the following depending on Model

- 30MB (1x30MB) Level 3
NOTE: For Twelve-core processors.
- 25MB (1x25MB) Level 3
NOTE: For Ten-core processors.
- 20MB (1x20MB) Level 3
NOTE: For Eight-core processors.
- 15MB (1x15MB) Level 3
NOTE: For Six-core processors.
- 10MB (1x10MB) Level 3
NOTE: For Quad-core processors.
- 5MB (1x5MB) Level 3
NOTE: For Dual-core processors.

Chipset

- Intel® C600 Series Chipset
- Intel® E5-2600 Processor Family
- Intel® E5-2600 v2 Processor Family
- NOTE:** For more information regarding Intel® chipsets, please see the following URL:
<http://www.intel.com/products/server/chipsets/>.

Upgradeability

- Upgradeable to two processors (24 Cores)
NOTE: Processor upgrade available from Intel® Xeon® Processors E5-2600 to E5-2600 v2. Please contact HP Technology Sales (<http://www.hp.com/support>), your local HP Re-seller, or reference the following Customer Advisory: [ProLiant Servers-Instructions for Upgrading an HP ProLiant Gen8 Server from an Intel Xeon Processor E5-2600 to an Intel Xeon Processor E5-2600 v2](#), regarding critical details before upgrading. An explanation of requirements and limitations are provided.
- Up to 24 DIMM slots available for higher memory capacity
- Up to 8 SFF Hard Drive Bays; Or 4 LFF or 10 SFF Drive Bay (optional through CTO below)
- FlexibleLOM slot for 1Gigabit or 10 Gigabit Ethernet or QDR/FDR InfiniBand networking options
- 2 PCIe 3.0 I/O slots for additional communications and storage expansion
- Redundant Power Supply
- Optical Drive Bay (8 SFF/4 LFF)

On System Management Chipset

- HP iLO (Firmware: HP iLO 4)
NOTE: For more information, visit: <http://www.hp.com/go/ilo>.

Memory Protection

- Advanced ECC
- Online Spare
- Lock-step mode

Standard Features

Memory

One of the following depending on Model

Type	HP SmartMemory DDR3 Registered (RDIMM), Load Reduced (LRDIMM) or Unbuffered (UDIMM) memory
DIMM Slots Available	24 (12 DIMM slots per processor /4 channels per processor/3 DIMMs per channel)
Maximum Capacity (LRDIMM)	768GB (24 x 32GB@1066MHz)
Maximum Capacity (RDIMM)	384GB (24 x 16GB@1333MHz)
Maximum Capacity (UDIMM)	128GB (16 x 8GB@1333MHz)
Maximum Capacity (HDIMM)	384GB (24 x 16GB@1333MHz)

NOTE: HP memory from previous generation servers are not qualified or warranted with this HP ProLiant Server. HP SmartMemory is required to realize the memory performance improvements and enhanced functionality listed in this document for Gen8. For additional information, please see the HP SmartMemory QuickSpecs at: http://h18000.www1.hp.com/products/quickspecs/14225_div/14225_div.html

NOTE: LRDIMM, RDIMM, UDIMM and HDIMMs are all distinct memory technologies and cannot be mixed within a server. The majority of ProLiant Gen8 servers support RDIMM, UDIMM and LRDIMM.

NOTE: If only one processor is installed, only 12 DIMM slots are available. When populating with two processors 24 DIMM slots are available. For maximum speed on some memory options on 16 DIMM slots may be populated.

NOTE: When using HDIMMs, 12 DIMMs per processor are required.

NOTE: Depending on the memory configuration and processor model, the memory speed may run at 1866MHz, 1600MHz, 1333MHz, or 1066MHz. Please see Memory Population Table or the Online Memory Configuration Tool at: www.hp.com/go/ddr3memory-configurator.

Network Controller

One of the following depending on Model

HP ProLiant Gen8 servers offer a new networking technology - Flexible Network Technology. The HP ProLiant DL360p Gen8 server offers the customer the choice of 1 Gigabit and/or 10 Gigabit networking solutions. For additional details see the Networking Section of this document.

Entry Models	HP Ethernet 1Gb 4-port 331FLR Adapter
Base Models	HP Ethernet 1Gb 4-port 331FLR Adapter
Performance Models	HP Ethernet 10Gb 2-port 530FLR-SFP+ Adapter
One of the following depending on Model	HP Ethernet 1Gb 4-port 331FLR Adapter HP Ethernet 10Gb 2-port 533FLR Adapter
Energy Star Certified Models	HP Ethernet 1Gb 4-port 331FLR Adapter

Standard Features

Expansion Slots	Expansion Slots #	Technology	Bus Width*	Connector Width	Form Factor	Notes
	1	PCIe 3.0	x8	x8	Low profile slot	Activated when installed with processor 1
	2	PCIe 3.0	x16	x16	Full-height, half-length slot	Activated when installed with processor 1

*Indicates the number of physical electrical lanes running to the connector.

NOTE: Two PCIe 3.0 expansion slots: (1) Half-length, full-height slot and (1) low-profile slot.

HP Server ROM

HP ROM (Read Only Memory) is now digitally signed using HP's Corporate Signing Service. This signature is verified before the flash process starts, reducing accidental programming and preventing malicious efforts to corrupt system ROM.

HP ROM provides for essential initialization and validation of hardware components before control is passed to the customer-installed operating system. The ROM also provides the capability of booting from various fixed media (HDD, CD-ROM) and removable media (USB), to continue operation to the operating system.

HP ROM performs very early configuration of the video controller, to allow monitoring of initialization progress via an attached monitor. If configuration or hardware errors are discovered during this early phase of hardware initialization, suitable messages are now displayed on the connected monitor. Additionally, these configuration or hardware errors are logged to the Integrated Management Log (IML) to assist in diagnosis.

HP's ProLiant ROM is used to configure the following:

- Processor and chipset status registers
- System memory, memory map, and memory initialization
- System hardware configuration (Integrated PCI devices and optional PCIe cards).
- Customer-specific BIOS configuration (using the HP ROM-Based Setup Utility (RBSU)).

NOTE: For further information, please refer to HP's RBSU (ROM based setup utility) user guide: www.hp.com/support/rbsu.

Storage Controller

One of the following depending on Model

Entry Models	HP Smart Array P420i/ZM (RAID 0/1/1+0)
Base Models	HP Smart Array P420i/1GB with FBWC (RAID 0/1/1+0/5/5+0/6/6+0)
Performance Models	HP Smart Array P420i/2GB with FBWC (RAID 0/1/1+0/5/5+0/6/6+0)
Energy Star Models	HP Smart Array P420i/1GB FBWC (RAID 0/1/1+0/5/5+0/6/6+0)
One of the following depending on Model	HP Smart Array P420i/ZM (RAID 0/1/1+0)

Standard Features

Internal Storage Devices	Diskette Drive	None
	Optical Drive	Optional DVD-ROM, DVD-RW NOTE: This option available with all 8SFF or 4LFF drive models.
	Hard Drives	None ship standard
	Hard Drive Bays	8 SFF drive bays total with Optical drive bay Optional: 4 LFF bays with Optical drive bay Optional: 10 SFF bays without optical NOTE: HP ProLiant DL360p Series servers offer both SFF, and LFF versions in CTO. The Optical Drive bay is available with the 4 LFF and 8 SFF models only. NOTE: LFF versions are not an upgradeable option from SFF models, or vice versa. NOTE: All Pre-configured Models come populated with some hard drive blanks installed. Should the customer need additional hard drive blanks, they can order more using either P/N 666987-B21: HP SFF Gen8 Hard Drive Blank Kit or P/N 666986-B21: HP LFF Gen8 Hard Drive Blank Kit. These part numbers for single HDD blanks below are also provided should the customer require replacement HDD blanks for their server.

Maximum Internal Storage	Hot Plug SFF SAS	12.0TB	10 x 1.2TB
	Hot Plug SFF SATA	10.0TB	10 x 1TB
	Hot Plug LFF SAS	12.0TB	4 x 3TB (with optional LFF drive cage)
	Hot Plug LFF SATA	16.0TB	4 x 4TB (with optional LFF drive cage)
	Hot Plug SFF SAS SSD	8.0TB	10 x 800GB
	Hot Plug SFF SATA SSD	4.0TB	10 x 400GB
	Hot Plug LFF SATA SSD	3.2TB	4 x 800GB (with optional LFF drive cage)

Interfaces	Serial	1
	Video	2 (1 front, 1 back) not active simultaneously NOTE: Front interface is a Mini-video connector and requires Front Video Adapter Kit (PN 655915-B21).
	FlexibleLOM Network Ports	Some models come standard with 4 x 1GB ports while others come with 2 x 10GB ports (See HP Networking section below for more details and options).
	HP iLO Remote Management Network Port	1Gb Dedicated
	SD slot	1 Internal secure NOTE: The SD slot is not a hot-pluggable device. Customers should not attempt to plug an SD card into the SD slot while the server is powered.
	USB 2.0 Ports	7 total: 4 rear, 2 front, 1 internal (secure)

Standard Features

Industry Standard Compliance	ACPI 2.0b Compliant PCIe 3.0 Compliant PXE Support WOL Support Microsoft® Logo certifications USB 2.0 Compliant
-------------------------------------	--

Server Power Cords

All Pre-configured Models servers ship with a high voltage server to PDU power cord.

NOTE: HP ProLiant DL servers no longer ship standard with a 12-foot NEMA 5-15P to C13 power cord that connects to 110V US wall outlets in a home or office. ProLiant DL servers are primarily connected to power distribution units (PDUs) in data center racks and now ship standard with a PDU 6-foot C-14 to C13 power cord (AOK02A). If a user wishes to power a ProLiant DL server using a 110V receptacle (NEMA-15), the 6-foot NEMA 5-15 to C13 power cord must be ordered separately (AF556A). See Power Cords section for Worldwide Power Cord options.

Power Specifications

To review typical system power ratings use the HP Power Advisor which is available via the online tool located at URL: www.hp.com/go/proliant-energy-efficient or www.hp.com/go/hppoweradvisor.

NOTE: Power Specification and Technical Content for supported power supplies can be found at: http://h18000.www1.hp.com/products/quickspecs/14209_div/14209_div.html

Common Slot Power Supply

NOTE: Mixing of power supplies in the same server is not supported. All power supplies inside a server must be exactly the same model. Mixing Gold, Platinum, and Platinum Plus certified power supplies is not supported.

HP's Common Slot (CS) power supplies allow for commonality of power supplies across a wide range of ProLiant and Integrity servers, as well as HP Storage solutions, and are designed to provide the highest power supply efficiency without degrading system performance. HP CS power supplies are tested by the Electric Power Research Institute (EPRI) and certified through the ECOS 80 Plus power supply program. HP CS power supply options provide efficiency ratings of up to 94% (80 Plus Platinum) and are available in three power output options - 460W, 750W, and 1200W - allowing the customer to "right-size" a power supply for their specific server configuration. All HP Common Slot power sources are UL, CE Mark Compliant, hot-plug and support redundant configurations.

NOTE: Mixing of power supplies in the same server is not supported. All power supplies must be of the same output and efficiency rating. If non-matched power supplies are inserted you will get errors and operation will fail.

HP CS Platinum Plus power supplies are required when enabling HP's Intelligent Power Discovery (IPD) solution. IPD is the first technology to create an automated, energy-aware network between IT systems and facilities. This allows your company to reclaim millions of dollars in wasted power capacity and downtime costs across data centers. For more information on HP's IPD solution, go to www.hp.com/go/ipd.

It is highly recommended that you use the HP Power Advisor in defining the "Right-Size" power supply for your needs. HP Power Advisor can be accessed at: www.hp.com/go/hppoweradvisor.

NOTE: The 80 PLUS program is a unique forum that unites electric utilities, the computer industry, and

Standard Features

consumers in an effort to bring energy efficient technology solutions to the marketplace. 80 Plus independently tests power supply efficiency and publicly posts the results on 80Plus.org.

Redundant Power: Optional (1+ 1 or n+n redundant) power supplies can be purchased through power supply option kits (see Power Supplies for part numbers).

NOTE: Power Specification and Technical Content for supported power supplies can be found at: http://h18000.www1.hp.com/products/quickspecs/14209_div/14209_div.html

System Fans

One of the following depending on Model

6 fan modules ship standard in 1 processor models

8 fan modules ship standard in 2 processor models

The DL360p Gen8 will support up to 8 fans with fan redundancy built in. One fan rotor failure will place server in degraded mode but fully functional. Two fan rotor failures could provide warning and imminent server shutdown.

NOTE: The processor option kit contains 2 additional fan modules, when upgrading from a 1 processor to two processor models.

Required Cabling

For required cabling information, refer to the Web site at:

www.hp.com/servers/dl360p-gen8

Operating Systems and Virtualization Software Support for ProLiant Servers

[Microsoft Windows Server](#)

[Canonical Ubuntu](#)

[Red Hat Enterprise Linux \(RHEL\)](#)

[SUSE Linux Enterprise Server \(SLES\)](#)

[Oracle Solaris](#)

[VMware](#)

[Citrix XenServer](#)

NOTE: For more information on HP's Certified and Supported ProLiant Servers for OS and Virtualization Software and latest listing of software drivers available for your server including how to purchase from HP, please visit our OS Support Site at: <http://www.hp.com/go/ossupport> and our driver download page <http://www.hp.com/support/DL360pGen8>

Graphics

Integrated Matrox G200 video standard

- 1280 x 1024 (32 bpp)
- 1920 x 1200 (16 bpp)

HP iLO 4 On System Management Memory

- 16 MB Flash
- 256 MB DDR 3 with ECC (112 MB after ECC and video)

Standard Features

Form Factor

1U Rack form factor

One of the following depending on Model

8 SFF and 10 SFF Drive Bay Versions:

1.7" (4.32cm) Height x 17.11" (43.47cm) Width x 27.5" (69.85cm) Length

4 LFF Drive Bay Version:

1.7" (4.32cm) Height x 17.11" (43.47cm) Width x 29.5" (74.67cm) Length

On System Management

HP iLO Management Engine

HP iLO Management Engine is a comprehensive set of embedded management features supporting the complete lifecycle of the server, from initial deployment, through ongoing management, to service alerting and remote support. HP iLO Management Engine comes standard on all HP ProLiant Gen8 servers. The HP iLO Management Engine portfolio includes:

- **HP iLO:** The HP iLO (Integrated Lights-Out) management processor is the core foundation for the HP iLO Management Engine
- **HP Agentless Management:** Provides built in server health monitoring and alerting capability without OS agents, that starts working the moment a power cord and an Ethernet cable are connected.
- **HP Active Health System:** Always on, continuous monitoring for increased stability and shorter downtimes; 100% configuration history; Health and service alerts and easy export and upload to Service and Support.
- **HP Intelligent Provisioning:** Lets customers provision and configure a single server without any separate media. No more SmartStart CDs or Smart Update Firmware DVD are needed.
 - To start Intelligent Provisioning:
 - Press the F10 key during the ProLiant Gen8 server boot process (also known as power on self test or POST).
 - Please go to the Intelligent Provisioning website at www.hp.com/go/intelligentprovisioning for additional information and to view usage videos.
 - Use the Service Pack for ProLiant (SPP) at www.hp.com/go/spp to get firmware and software updates.
- **HP iLO Mobile App:** Enables the ability to access, deploy, and manage your server anytime from anywhere from select smartphones and mobile devices. For additional information please visit: www.hp.com/go/ilo/mobileapp

NOTE: For more information, visit: <http://www.hp.com/go/ilo> or HP iLO Management Engine technologies whitepaper

Standard Features

HP Insight management HP Service Pack for ProLiant

HP Service Pack for ProLiant (SPP) and HP Smart Update Manager (HP SUM) provide a comprehensive approach to firmware and system software maintenance. Together they provide better operating stability and ensure maximum uptime. The SPP will be updated at a predictable cadence, typically coinciding with new HP server hardware launches. By enabling firmware to be updated online and integrating firmware and system software updates in one operation, HP SUM and the SPP offer faster updates of individual servers and dramatically faster updates of entire BladeSystem enclosures. Further improving system uptime and stability is the fact that HP provides 12 months of support for each Service Pack for ProLiant release.

The user experience around HP SUM and the SPP has been improved in several ways, starting with the web download. A single web page provides access to a single download containing both the latest version of HP SUM and the latest SPP. Optional smaller subsets with only specific types of servers or specific operating systems are offered to save on download time. The HP SUM application provides a straightforward, intuitive user interface that guides the user through the steps of discovery, analyses and update, providing comprehensive information on available updates, criticality and interdependencies. This information is also available in reports. By providing the option of multiple local or shared repositories which can be easily updated from hp.com, HP SUM provides the tools to optimize stability and consistency throughout the company. While HP SUM and the SPP recommend the combinations of firmware and system software that HP has found to be the best practice, the application gives customers the flexibility to set their own specific baseline.

The Service Pack for ProLiant has been rigorously tested with specific attention for interaction between firmware, drivers and agents both within the server as well as in interaction with the BladeSystem enclosure components (Onboard Administrator and Virtual Connect). This testing ensures the highest quality as well as providing the input for HP SUM to deploy updates taking into account all interdependencies, when determining the correct updates and order of update deployment.

NOTE: The Service Pack for ProLiant (which includes HP SUM) can be downloaded from www.hp.com/go/spp/download. More information can be found: <http://www.hp.com/go/SmartUpdate>, www.hp.com/go/spp and <http://www.hp.com/go/hpsum>

HP StoreVirtual VSA

HP StoreVirtual VSA allows you to create fully featured shared storage on a VMware vSphere or Microsoft Hyper-V virtualized server. This server model starting November 2013, includes a limited license for HP StoreVirtual VSA software with 1TB of capacity. To download the license key and StoreVirtual VSA software, visit www.hp.com/go/unlockVSA.

NOTE: You will need your server serial number in order to complete the registration form.

Fully functional, capacity-based licenses are available in 4TB, 10TB, and 50TB sizes. For more information and access to the 60-day free trial, visit: www.hp.com/go/tryVSA

Standard Features

Security

Power-on password
Serial interface control
Administrator's password

Warranty

This product is covered by a global limited warranty and supported by HP Services and a worldwide network of HP Authorized Channel Partners resellers. Hardware diagnostic support and repair is available for three years from date of purchase. Support for software and initial setup is available for 90 days from date of purchase. Enhancements to warranty services are available through HP Care Pack services or customized service agreements. Hard drives have either a one year or three year warranty; refer to the specific hard drive QuickSpecs for details.

NOTE: Server Warranty includes 3-Year Parts, 3-Year Labor, 3-Year Onsite support with next business day response. Warranty repairs may be accomplished through the use of Customer Self Repair (CSR) parts. These parts fall into two categories: 1) Mandatory CSR parts are designed for easy replacement. A travel and labor charge will result when customers decline to replace a Mandatory CSR part; 2) Optional CSR parts are also designed for easy replacement but may involve added complexity. Customers may choose to have HP replace Optional CSR parts at no charge. Additional information regarding worldwide limited warranty and technical support is available at:

<http://h18004.www1.hp.com/products/servers/platforms/warranty/index.html>

Optional Features

HP Insight management	HP Insight Control	HP Insight Control, a product option, delivers essential infrastructure management that can help save time and money by making it easy to deploy, migrate, monitor, remote control, and optimize your IT infrastructure through a single, simple management console. HP Insight Control also supports Location and Power Discovery Services to automate many configuration, asset tracking, and power management tasks to speed implementation and prevent downtime. For more information, see http://www.hp.com/go/insightcontrol .
	HP iLO Advanced	HP Insight Control includes one year of 24 x 7 HP Software Technical Support and Update Service ensuring rapid access to HP support staff and proactive delivery of software updates. For more information about this service, see: http://www.hp.com/services/insight .
	HP Matrix Operating Environment	HP Integrated Lights-Out Advanced License a product option, providing smart remote server management without compromise. iLO Advanced unlocks the full set of remote administration functionality for all HP ProLiant servers by activating the full Virtual Keyboard Video and Mouse remote console, multi-user collaboration, console record and replay, GUI-based and scripted virtual media and virtual folders, and enhanced security and power management functionality. For more information, see: http://www.hp.com/go/iloadvance The HP Matrix Operating Environment (Matrix OE) for ProLiant and Integrity servers is an integrated command center that helps you instantly adjust to dynamic business demands. This advanced infrastructure management software lets you reduce the cost of common data center tasks by up to 40 percent while keeping pace with your changing business. The HP Matrix OE includes the automated provisioning, optimization, and recovery management capabilities for HP CloudSystem Matrix, the ideal platform for private cloud and Infrastructure as a Service (IaaS).

NOTE: For more information, visit: <http://www.hp.com/go/matrixoe>

High Performance Clusters

HP Cluster Platforms	HP Cluster Platforms are specifically engineered, factory-integrated large-scale ProLiant clusters optimized for High Performance Computing, with a choice of servers, networks and software. Operating system options include specially priced offerings for Red Hat Enterprise Linux and SUSE Linux Enterprise Server, as well as Microsoft Windows HPC Server. A Cluster Platform Configurator simplifies ordering. http://www.hp.com/go/clusters .
HP HPC Interconnects	High Performance Computing (HPC) interconnect technologies are available for this server as part of the HP Cluster Platform portfolio. These high-speed InfiniBand and Gigabit interconnects are fully supported by HP when integrated within an HP cluster. Flexible, validated solutions can be defined with the help of configuration tools. http://www.hp.com/techservers/clusters/ucp/index.html
HP Insight Cluster Management Utility	HP Insight Cluster Management Utility (CMU) is an HP-licensed and HP-supported suite of tools that are used for lifecycle management of hyperscale clusters of Linux ProLiant systems. CMU includes software for the centralized provisioning, management and monitoring of nodes. CMU makes the administration of clusters user friendly, efficient, and effective. http://www.hp.com/go/cmu

Optional Features

Storage Software

Whether you need to solve a specific data protection, archiving, or storage command and control challenge, or deliver on strategic consolidation, compliance, or continuity initiatives, look no further than HP storage software. Our storage software helps you reduce costs, simplify storage infrastructure, protect vital assets and respond faster to business opportunities.

Storage software that gets the job done:

- **Data Protection and Recovery Software**
Whether you're a large enterprise or a smaller business, HP data protection and recovery software will cost-effectively protect you against disaster and ensure business continuity.
- **Data Archive and Migration Software**
HP's storage software enables you to comply with data retention and retrieval requirements, improve application performance, and reduce costs by efficiently migrating infrequently accessed or less valuable data to lower cost storage.
- **Storage Resource Management Software (SRM)**
HP's storage resource management software reduces operational costs and provides the command and control foundation you need to efficiently manage and visualize your physical and virtual environments.
- **Data Replication Software**
HP offers array-based and host-based replication software for use in disaster recovery, testing, application development and reporting.
- **Storage Device Management Software**
Maximize your investment in HP storage and networking with software that enables hardware-specific configuration, performance tuning and connectivity management.
- **HP StoreVirtual VSA**
With HP StoreVirtual VSA you can use the power of virtualization to turn a set of heterogeneous and disconnected physical disk drives in your servers and storage devices into a single pool of logical storage capacity.

NOTE: For more information available Storage Software including QuickSpecs, please see: www.hp.com/go/storage/software.

HP Insight Online

HP Insight Online is a new addition to the HP Support Center for one stop, secure access to product and HP support information personalized to your IT environment. Insight Online can automatically display devices remotely monitored by HP Insight Remote Support. With Insight Online's easy navigation you can efficiently track your IT support contracts and device status from anywhere and at any time.

www.hp.com/go/insightonline

HP Proactive Insight experience

Prevent problems with innovative, automated monitoring tools and proactive services. The HP Proactive Insight experience consist of using Insight Online, Insight Remote Support, and Proactive Care Support Service as one integrated solution. The Proactive Insight experience provides you with expert advice and personalized, cloud-based automated IT support, helping to prevent unplanned down time and solve problems quickly. For more information, visit: www.hp.com/go/proactiveinsightexperience

Optional Features

Factory Express Portfolio for Servers and Storage HP Factory Express offers configuration, customization, integration and deployment services for HP servers and storage products. Customers can choose how their factory solutions are built, tested, integrated, shipped and deployed.

Factory Express offers service packages for simple configuration, racking, installation, complex configuration and design services as well as individual factory services, such as image loading, asset tagging, and custom packaging. HP products supported through Factory Express include a wide array of servers and storage: HP Integrity, HP ProLiant, HP ProLiant Server Blades, HP BladeSystem, HP 9000 servers as well as the MSAxxxx, VA7xxx, EVA, XP, rackable tape libraries and configurable network switches.

For more information on Factory Express services for your specific server model please contact your sales representative or go to: <http://www.hp.com/go/factory-express>.

HP Simple Configurator SCE is a guided self-service tool to help sales and non-technical people provide customers with initial configurations in 3 to 5 minutes. You may then send the configuration on for configuration help, or use in your existing ordering processes. If you require "custom" rack configuration or configuration for products not available in SCE, please contact HP's Customer Business Center or an Authorized Partner for assistance. <http://www.hp.com/products/configurator>

Service and Support

Service and Support

HP Technology Services for Industry Standard Servers

Capitalizing on HP ProLiant server capabilities requires a service partner who understands your increasingly complex business technology environment. That's why it makes sense to team up with the people who know HP infrastructure hardware and software best - the experienced professionals at HP Services.

Protect your business beyond warranty with HP Care Pack Services

HP Care Pack services offer complete care and support expertise with committed response choices designed to meet your IT and business needs.

HP Foundation Care services offer scalable reactive support-packages for HP industry-standard servers and software. You can choose the type and level of service that is most suitable for your IT and business needs. HP Proactive Care delivers high levels of system availability through proactive service management and advanced technical response.

Optimized Care

Supports maintaining servers at optimum performance availability

3-Year HP 6 hour Call to Repair Response, Proactive Care*

Combined reactive and proactive support for hardware and software helping optimize your systems and delivering high levels of availability through proactive service management and advanced technical response. Hardware problem resolution to return the hardware in operating condition within 6 hours of the initial service request. A Technical Account Manager, as your single point of contact, will own your call or issue end to end until resolved.

<http://h20195.www2.hp.com/v2/GetPDF.aspx/4AA3-8855EEE.pdf>

HP ProLiant Server Hardware Installation

Provides for the basic hardware installation of HP branded servers, storage devices and networking options to assist you in bringing your new hardware into operation in a timely and professional manner

<http://h20195.www2.hp.com/V2/GetPDF.aspx/5981-9356EN.pdf>

Standard Care

Service recommendation that maintains high level of server availability

3-Year HP 24x7 4 hour response, Proactive Care Service*

This service gives you combined reactive and proactive support including rapid access to our Advanced Solution Center to manage and prevent problems and a Technical Support Specialist with a broad level of technical knowledge that will engage with additional technical expertise as needed from HP's vast global resources.

<http://h20195.www2.hp.com/v2/GetPDF.aspx/4AA3-8855EEE.pdf>

HP ProLiant Server Hardware Installation

Provides for the basic hardware installation of HP branded servers, storage devices and networking options to assist you in bringing your new hardware into operation in a timely and professional manner

<http://h20195.www2.hp.com/V2/GetPDF.aspx/5981-9356EN.pdf>

Service and Support

Related Services

HP Proactive Care Personalized Support - Environmental Option

The Personalized Support option provides an assigned Account Support Manager who can bring best practices from across the industry plus extra technical skills to your IT team. This option is only available as an add-on to HP Proactive Care Support.

HP Proactive Select Service

Provides a flexible way to purchase HP best-in-class consultancy and technical services. You can buy Proactive Select Service Credits when you purchase your hardware and then use the credits over the next 12 months. <http://h20195.www2.hp.com/V2/GetPDF.aspx/4AA2-3842ENN.pdf>

Additional HP Care Pack services can be found at:
<http://www.hp.com/go/cpc>

Insight Online/Insight Remote Support

HP Insight Remote Support provides 24 X 7 remote monitoring, proactive notifications, and problem resolution. This comes at no additional cost with your HP solution*. Learn more about Insight Remote Support <http://www.hp.com/go/insightremotesupport> and Insight Online <http://www.hp.com/go/insightonline>

* Insight Remote Support is a prerequisite for Proactive Care.

HP Support Center

Personalized online support portal with access to information, tools and experts to support HP business products. Submit support cases online, chat with HP experts, access support resources or collaborate with peers. Learn more <http://www.hp.com/go/hpsc>

HP's Support Center Mobile App** allows you to resolve issues yourself or quickly connect to an agent for live support. Now, you can get access to personalized IT support anywhere, anytime. HP Insight Remote Support and HP Support Center are available at no additional cost with a HP warranty, HP Care Pack or HP contractual support agreement.

**HP's Support Center Mobile App is subject to local availability

Parts and Material

HP will provide HP-supported replacement parts and materials necessary to maintain the covered hardware product in operating condition, including parts and materials for available and recommended engineering improvements.

Parts and components that have reached their maximum supported lifetime and/or the maximum usage limitations as set forth in the manufacturer's operating manual, product quick-specs, or the technical product data sheet will not be provided, repaired, or replaced as part of these services.

For more information

To learn more on HP ProLiant servers, please contact your HP sales representative or HP Authorized ServiceOne Channel Partner. Or visit: <http://www.hp.com/services/proliant>

Pre-configured Models

NOTE: For the Standard Features shipped in the "Factory Integrated Models", please see the "Configuration Information - Factory Integrated Models" section.

NOTE: Pre-configured models ship with the configurations below. Options can be selected from the Core or Additional options section of this QuickSpecs.

NOTE: HP does not allow factory integration of options into pre-configured models. Any additional options purchased will be shipped separately.

NOTE: If you desire a custom configuration please see "Configuration Information - Factory Integrated Models" section of this QuickSpecs.

NOTE: All Pre-configured Models come populated with some hard drive blanks installed. Should the customer need additional hard drive blanks, they can order more using either P/N 666987-B21: HP SFF Gen8 Hard Drive Blank Kit or P/N 666986-B21: HP LFF Gen8 Hard Drive Blank Kit.

NOTE: Not all models are available in all regions. Check with your local country HP offices for availability

Entry Models

E5-2600 v2 series Processors

HP ProLiant DL360p Gen8 Processor(s)	(1) Intel® Xeon® E5-2603 v2 (1.8GHz/4-core/10MB/6.4GT-s QPI/80W) Processor
E5-2603v2 1P 4GB-R	
P420i/ZM 460W PS Entry Server	
733732-xx1	
Cache Memory	10MB (1x10MB) L3
Memory	4GB (1 x 4GB DDR3-1600MHZ RDIMMs) NOTE: 24 (12 DIMM slots per processor /4 channels per processor/3 DIMMs per channel).
Network Controller	HP Ethernet 1Gb 4-port 331FLR Adapter
Storage Controller	HP Smart Array P420i/ZM (RAID 0/1/1+0)
Hard Drive	None ship standard; includes 6 SFF hard drive blanks
Internal Storage	Standard: 8 SFF HDD Bays
Optical Drive Bay	1 (Optional: DVD-ROM, DVD-RW)
PCI-Express Slots	2 standard (1-FH/HL, 1-LP) PCIe 3.0
Power Supply	(1) HP 460W Common Slot Gold Hot Plug Power Supply (92% Efficient)
Fans	6 Hot Plug Redundant Fan Modules
Management	HP iLO Management Engine (standard) Optional: HP iLO Advanced or HP Insight Control
Form Factor	Rack (1U) NOTE: Includes the Easy Install Rail kit which does allow for in-rack serviceability. The Easy Install Cable Management Arm is optional. Caution: HP recommends that a minimum of two people are required for all Rack Server installations. Please refer to your installation instructions for proper tools and number of people to use for any installation.
Warranty	Server Warranty includes 3-Year Parts, 3-Year Labor, 3-Year Onsite support with next business day response

E5-2600 series Processors

HP ProLiant DL360p Gen8 Processor(s)	(1) Intel® Xeon® E5-2603 (1.8GHz/4-core/10MB/6.4GT-s QPI/80W) Processor
E5-2603 1P 4GB-R P420i	
Cache Memory	10MB (1x10MB) L3

Pre-configured Models

SFF 460W PS Entry Server
646900-xx1

Memory	4GB (1 x 4GB DDR3-1333MHz RDIMMs) NOTE: 24 (12 DIMM slots per processor /4 channels per processor/3 DIMMs per channel).
Network Controller	HP Ethernet 1Gb 4-port 331FLR Adapter
Storage Controller	HP Smart Array P420i/ZM (RAID 0/1/1+0)
Hard Drive	None ship standard; includes 7 SFF hard drive blanks
Internal Storage	Standard: 8 SFF HDD Bays
Optical Drive Bay	1 (Optional: DVD-ROM, DVD-RW)
PCI-Express Slots	2 standard (1-FH/HL, 1-LP) PCIe 3.0
Power Supply	(1) HP 460W Common Slot Gold Hot Plug Power Supply (92% Efficient)
Fans	6 Hot Plug Redundant Fan Modules
Management	HP iLO Management Engine (standard) Optional: HP iLO Advanced or HP Insight Control
Form Factor	Rack (1U) NOTE: Includes Rack Mounting Gen8 non-telescoping Friction Rail Kit which does not allow for in rack serviceability. The HP 1U Gen8 Cable Management Arm is not available when using Friction Rails. To assist in the installation of the server into the rack an optional installation tool is available by contacting your local services representative (p/n 695539-001). Caution: HP recommends that a minimum of two people are required for all Rack Server installations. Please refer to your installation instructions for proper tools and number of people to use for any installation.
Warranty	Server Warranty includes 3-Year Parts, 3-Year Labor, 3-Year Onsite support with next business day response.

Base Models

E5-2600 v2 series Processors

HP ProLiant DL360p Gen8 Processor(s)

E5-2630v2 1P 16GB-R

P420i/1GB FBWC 460W PS

Base Server

733733-xx1

Cache Memory	15MB (1x15MB) L3
Memory	16GB (2 x 8GB DDR3-1600MHZ RDIMMs) NOTE: 24 (12 DIMM slots per processor /4 channels per processor/3 DIMMs per channel).
Network Controller	HP Ethernet 1Gb 4-port 331FLR Adapter
Storage Controller	HP Smart Array P420i/1GB with FBWC (RAID 0/1/1+0/5/5+0/6/6+0)
Hard Drive	None ship standard; includes 6 SFF hard drive blanks
Internal Storage	Standard: 8 SFF HDD Bays
Optical Drive Bay	1 (Optional: DVD-ROM, DVD-RW)
PCI-Express Slots	2 standard (1-FH/HL, 1-LP) PCIe 3.0
Power Supply	(1) HP 460W Common Slot Platinum Plus Hot Plug Power Supply (94% Efficient)
Fans	6 Hot Plug Redundant Fan Modules

Pre-configured Models

Management	HP iLO Management Engine (standard) Optional: HP iLO Advanced or HP Insight Control
Form Factor	Rack (1U) NOTE: Includes the Easy Install Rail kit which does allow for in-rack serviceability. The Easy Install Cable Management Arm is optional. Caution: HP recommends that a minimum of two people are required for all Rack Server installations. Please refer to your installation instructions for proper tools and number of people to use for any installation.
Warranty	Server Warranty includes 3-Year Parts, 3-Year Labor, 3-Year Onsite support with next business day response

E5-2600 series Processors

HP ProLiant DL360p Gen8 E5-2640 1P 16GB-R P420i SFF 460W PS Base Server 646902-xx1	Processor(s) One of the following depending on Model	(1) Intel® Xeon® E5-2640 (2.5GHz/6-core/15MB/7.2GT-s QPI/95W, DDR3-1333, HT, Turbo2- 3/3/4/4/5/5) Processor (1) Intel® Xeon® E5-2630 (2.3GHz/6-core/15MB/7.2GT-s QPI/95W, DDR3-1333, HT, Turbo2- 3/3/4/4/5/5) Processor
HP ProLiant DL360p Gen8 E5-2630 1P 16GB-R P420i SFF 460W PS Base Server 646901-xx1	Cache Memory	15MB (1x15MB) L3
	Memory	16GB (4 x 4GB DDR3-1333MHz RDIMMs) NOTE: 24 (12 DIMM slots per processor /4 channels per processor/3 DIMMs per channel).
	Network Controller	HP Ethernet 1Gb 4-port 331FLR Adapter
	Storage Controller	HP Smart Array P420i/1GB with FBWC (RAID 0/1/1+0/5/5+0/6/6+0)
	Hard Drive	None ship standard; includes 7 SFF hard drive blanks
	Internal Storage	Standard: 8 SFF HDD Bays
	Optical Drive Bay	1 (Optional: DVD-ROM, DVD-RW)
	PCI-Express Slots	2 standard (1-FH/HL, 1-LP) PCIe 3.0
	Power Supply	(1) HP 460W CS Platinum Plus Hot Plug Power Supply (94% Efficient)
	Fans	6 Hot Plug Redundant Fan Modules
	Management	HP iLO Management Engine (standard) Optional: HP iLO Advanced or HP Insight Control
	Form Factor	Rack (1U) NOTE: Includes Rack Mounting Gen8 telescoping SFF Ball Bearing Rail Kit which does allow for in rack serviceability. Due to the size and weight of the server two people are required to install the server into the rack. The HP 1U Gen8 Cable Management Arm is optional. To assist in the installation of the server into the rack an optional installation tool is available by contacting your local services representative (p/n 695539-001). Caution: HP recommends that a minimum of two people are required for all Rack Server installations. Please refer to your installation instructions for proper tools and number of people to use for any installation.
	Warranty	Server Warranty includes 3-Year Parts, 3-Year Labor, 3-Year Onsite support with next business day response

Performance Models



Pre-configured Models

E5-2600 v2 series Processors

<p>HP ProLiant DL360p Gen8 Processor(s) E5-2650v2 2P 32GB-R P420i/2GB FBWC 460W PS Perf Svr 733739-xx1</p>	<p>Cache Memory Memory</p> <p>Network Controller</p> <p>Storage Controller</p> <p>Hard Drive</p> <p>Internal Storage</p> <p>Optical Drive Bay</p> <p>PCI-Express Slots</p> <p>Power Supply</p> <p>Fans</p> <p>Management</p> <p>Form Factor</p> <p>Warranty</p>	<p>(2) Intel® Xeon® E5-2650 v2 (2.6GHz/8-core/20MB/8.0GT-s QPI/95W) Processor</p> <p>20MB (1x20MB) L3</p> <p>32GB (2 x 16GB DDR3-1866MHZ RDIMMs) NOTE: 24 (12 DIMM slots per processor /4 channels per processor/3 DIMMs per channel).</p> <p>HP Ethernet 10Gb 2-port 533FLR Adapter</p> <p>HP Smart Array P420i/2GB with FBWC (RAID 0/1/1+0/5/5+0/6/6+0)</p> <p>None ship standard; includes 6 SFF hard drive blanks</p> <p>Standard: 8 SFF HDD Bays</p> <p>1 (Optional: DVD-ROM, DVD-RW)</p> <p>2 standard (1-FH/HL, 1-LP) PCIe 3.0</p> <p>(2) HP 750W Common Slot Platinum Plus Hot Plug Power Supply (94% Efficient)</p> <p>8 Hot Plug Redundant Fan Modules</p> <p>HP iLO Management Engine (standard) HP Insight Control Standard</p> <p>Rack (1U) NOTE: Includes the Easy Install Rail kit which does allow for in-rack serviceability. The Easy Install Cable Management Arm is optional. Caution: HP recommends that a minimum of two people are required for all Rack Server installations. Please refer to your installation instructions for proper tools and number of people to use for any installation.</p> <p>Server Warranty includes 3-Year Parts, 3-Year Labor, 3-Year Onsite support with next business day response</p>
--	---	--

E5-2600 series Processors

NOTE: These Models are Energy Star Certified.

<p>Eight-Core Models HP ProLiant DL360p Gen8 E5-2690 2P 32GB-R P420i SFF 750W PS Performance Server 646905-xx1</p> <p>HP ProLiant DL360p Gen8 E5-2650 2P 32GB-R P420i SFF 460W PS Performance Server 646904-xx1</p>	<p>Processor(s) Cache Memory Memory</p> <p>Network Controller Storage Controller Hard Drive</p>	<p>(2) Intel® Xeon® E5-2690 (2.9GHz/8-core/20MB/8GT-s QPI/135W, DDR3-1600, HT, Turbo2- 4/4/4/5/5/7/7/9) Processors</p> <p>(2) Intel® Xeon® E5-2650 (2.0GHz/8-core/20MB/8GT-s QPI/95W, DDR3-1600, HT, Turbo2- 4/4/5/5/5/7/8/8) Processors</p> <p>20MB (1x20MB) L3</p> <p>32GB (4 x 8GBDDR3-1600MHz RDIMMs) NOTE: 24 (12 DIMM slots per processor /4 channels per processor/3 DIMMs per channel).</p> <p>HP Ethernet 10Gb 2-port 530FLR-SFP+ Adapter (on E5-2690 Model) NOTE: SFP Transceivers for the 530FLR-SFP+ are not included with the server and must be purchased separately.</p> <p>HP Ethernet 1Gb 4-port 331FLR Adapter (on E5-2650 Model)</p> <p>HP Smart Array P420i/2GB with FBWC (RAID 0/1/1+0/5/5+0/6/6+0)</p> <p>None ship standard; includes 7 SFF hard drive blanks</p>
--	---	--

Pre-configured Models

Internal Storage	Standard: 8 SFF HDD Bays
Optical Drive Bay	1 (Optional: DVD-ROM, DVD-RW)
PCI-Express Slots	2 standard (1-FH/HL, 1-LP) PCIe 3.0
Power Supply <i>One of the following depending on Model</i>	(2) HP 750W CS Platinum Plus Hot Plug Power Supplies (94% Efficient) (on E5-2690 Model) (2) HP 460W CS Platinum Plus Hot Plug Power Supplies (94% Efficient) (on E5-2650 Model)
Fans	8 Hot Plug Redundant Fan Modules
Management	HP iLO Management Engine (standard) HP Insight Control Standard
Energy Star	Meets Energy Star requirements
Form Factor	Rack (1U) NOTE: Includes Rack Mounting Gen8 telescoping SFF Ball Bearing Rail Kit which does allow for in rack serviceability. Due to the size and weight of the server two people are required to install the server into the rack. The HP 1U Gen8 Cable Management Arm is optional. To assist in the installation of the server into the rack an optional installation tool is available by contacting your local services representative (p/n 695539-001). Caution: HP recommends that a minimum of two people are required for all Rack Server installations. Please refer to your installation instructions for proper tools and number of people to use for any installation.
Warranty	Server Warranty includes 3-Year Parts, 3-Year Labor, 3-Year Onsite support with next business day response

Energy Star Models

E5-2600 v2 series Processors

HP ProLiant DL360p Gen8 Processor(s)	(2) Intel® Xeon® E5-2640 v2 (2.0GHz/8-core/20MB/7.2GT-s QPI/95W) Processor
E5-2640v2 2P 16GB-R P420i/1GB FBWC 460W PS ES Svr 733738-xx1	
Cache Memory	20MB (1x20MB) L3
Memory	16GB (2 x 8GB DDR3-1600MHZ RDIMMs) NOTE: 24 (12 DIMM slots per processor /4 channels per processor/3 DIMMs per channel).
Network Controller	HP Ethernet 1Gb 4-port 331FLR Adapter
Storage Controller	HP Smart Array P420i/1GB FBWC (RAID 0/1/1+0/5/5+0/6/6+0)
Hard Drive	None ship standard; includes 6 SFF hard drive blanks
Internal Storage	Standard: 8 SFF HDD Bays
Optical Drive Bay	1 (Optional: DVD-ROM, DVD-RW)
PCI-Express Slots	2 standard (1-FH/HL, 1-LP) PCIe 3.0
Power Supply	(1) HP 460W Common Slot Platinum Plus Hot Plug Power Supply (94% Efficient)
Fans	8 Hot Plug Redundant Fan Modules
Management	HP iLO Management Engine (standard) Optional: HP iLO Advanced or HP Insight Control

Pre-configured Models

Form Factor	Rack (1U) NOTE: Includes the Easy Install Rail kit which does allow for in-rack serviceability. The Easy Install Cable Management Arm is optional. Caution: HP recommends that a minimum of two people are required for all Rack Server installations. Please refer to your installation instructions for proper tools and number of people to use for any installation.
Warranty	Server Warranty includes 3-Year Parts, 3-Year Labor, 3-Year Onsite support with next business day response

E5-2600 series Processors

NOTE: These Models are Energy Star Certified.

<p>Six-Core Model HP ProLiant DL360p Gen8 E5-2630 2P 16GB-R P420i SFF 460W PS Energy Star Server 677199-xx1</p>	<p>Processor(s) One of the following depending on Model</p> <p>Cache Memory One of the following depending on Model</p>	<p>(2) Intel® Xeon® E5-2630 (2.3GHz/6-core/15MB/7.2GT-s QPI/95W, DDR3-1333, HT, Turbo2- 3/3/4/4/5/5) Processors (2) Intel® Xeon® E5-2603 (1.8GHz/4-core/10MB/6.4GT-s QPI/80W) Processors NOTE: All added memory only runs at 1066MHz speed.</p> <p>15MB (1x15MB) Level 3 10MB (1x10MB) Level 3</p>
<p>HP ProLiant DL360p Gen8 E5-2603 2P 8GB-R P420i SFF 460W PS Energy Star Server 677198-xx1</p>	<p>Memory</p> <p>Network Controller</p> <p>Storage Controller</p> <p>Hard Drive</p> <p>Internal Storage</p> <p>Optical Drive Bay</p> <p>PCI-Express Slots</p> <p>Power Supply</p> <p>Fans</p> <p>Management</p> <p>Energy Star</p>	<p>16GB (4 x 4GB DDR3-1333MHz LVRDIMMs) (on E5-2630 Model) 8GB (2 x 4GB DDR3-1333MHz LVRDIMMs) (on E5-2603 Model) NOTE: 24 (12 DIMM slots per processor /4 channels per processor/3 DIMMs per channel).</p> <p>HP Ethernet 1Gb 4-port 331FLR Adapter</p> <p>HP Smart Array P420i/1GB FBWC (RAID 0/1/1+0/5/5+0/6/6+0) (on E5-2630 Model) HP Smart Array P420i/ZM (RAID 0/1/1+0) (on E5-2603 Model)</p> <p>None ship standard; includes 7 SFF hard drive blanks</p> <p>Standard: 8 SFF HDD Bays</p> <p>1 (Optional: DVD-ROM, DVD-RW)</p> <p>2 standard(1-FH/HL, 1-LP) PCIe 3.0</p> <p>(1) HP 460W CS Platinum Plus Hot Plug Power Supply (94% Efficient)</p> <p>8 Hot Plug Redundant Fan Modules</p> <p>HP iLO Management Engine (standard) Optional: HP Insight Control</p> <p>Meets Energy Star requirements</p>
	Form Factor	<p>Rack (1U) NOTE: Includes Rack Mounting Gen8 telescoping SFF Ball Bearing Rail Kit which does allow for in rack serviceability. Due to the size and weight of the server two people are required to install the server into the rack. The HP 1U Gen8 Cable Management Arm is optional. To assist in the installation of the server into the rack an optional installation tool is available by contacting your local services representative (p/n 695539-001). Caution: HP recommends that a minimum of two people are required for all Rack Server installations. Please refer to your installation instructions for proper tools and number of people to use for any installation.</p>

Pre-configured Models

Warranty

Server Warranty includes 3-Year Parts, 3-Year Labor, 3-Year Onsite support with next business day response.

Country Code Key

xx = 00	U.S.
xx = 29	Japan
xx = 37	APD
xx = 42	Europe
xx = AA	PRC

Configuration Information - Factory Integrated Models

NOTE: This section lists some of the steps required to configure a Factory Integrated Model. To ensure only valid configurations are ordered, HP recommends the use of an HP approved configurator. Contact your local sales representative for information on configurable product offerings and requirements.

NOTE: Factory Integrated Models must start with a CTO Server.

NOTE: FIO indicates that this option is only available as a factory installable option.

NOTE: All Factory Integrated Models will be populated with sufficient hard drive blanks based on the number of initial hard drives ordered with the server.

Step 1: Base Configuration (choose one of the following configurable models)

HP Models

HP ProLiant DL360p Gen8 4 LFF Configure-to-order Server

655651-B21

Factory Integrated Model ships with:

2 x HP Smart Socket Guides for fast processor installation
Drive Cage - 4-Large Form Factor
24 DIMM slots for RDIMM, LRDIMM,UDIMM and HDIMM SmartMemory installation
(1) FlexibleLOM connection point: (see Step2: HP FlexibleLOM NIC section below for NIC choices to populate the embedded connector)
Smart Array P420i Controller (Cache connection for 512MB, 1GB and 2GB FBWC options)
I/O slots - 2 Slots come standard:

- Slot 1 - Low Profile x 8 PCIe 3.0
- Slot 2 - Full-Height/Half-Length x 16 PCIe 3.0

System Fans - 6 (2 additional fans included with second processor)

USB - 4 Rear, 2 Front, 1 Internal

1 Internal SD slot

On System Server Management - (HP iLO Management Engine) (embedded)

SID - System Insight Display(Active Health Indicator)

Power Supply not included - choose from Power Options section

NOTE: With new options available for Networking solutions and Rack Rail Kits these options are no longer standard on-board with this Model Part Number. Please see the Networking and HP Rack Options below for optional required options.

HP ProLiant DL360p Gen8 8 SFF Configure-to-order Server

654081-B21

Factory Integrated Model ships with:

2 x HP Smart Socket Guides for fast processor installation
Drive Cage - 8-Small Form Factor
24 DIMM slots for RDIMM, LRDIMM, UDIMM and HDIMM SmartMemory installation
(1) FlexibleLOM connection point: (see Step2: HP FlexibleLOM NIC section below for NIC choices to populate the embedded connector)
Smart Array P420i Controller (Cache connection for 512MB, 1GB and 2GB FBWC options)
I/O slots - 2 Slots come standard:

- Slot 1 - Low Profile x 8 PCIe 3.0
- Slot 2 - Full-Height/Half-Length x 16 PCIe 3.0

System Fans - 6 (2 additional fans included with second processor)

USB - 4 Rear, 2 Front, 1 Internal

1 Internal SD slot

On System Server Management Processor - HP iLO 4 (embedded)

SID - System Insight Display(Active Health Indicator)

Configuration Information - Factory Integrated Models

Power Supply not included - choose from Power Options section

NOTE: With new options available for Networking solutions and Rack Rail Kits these options are no longer standard on-board with this Model Part Number. Please see the Networking and HP Rack Options below for optional required options.

HP ProLiant DL360p Gen8 10 SFF Configure-to-order Server

666532-B21

Factory Integrated Model ships with:

2 x HP Smart Socket Guides for fast processor installation

Drive Cage - 10-Small Form Factor

NOTE: The 10 SFF drive cage requires cache with the P420i order to function properly.

24 DIMM slots for RDIMM, UDIMM and HDIMM SmartMemory installation

NOTE: LRDIMMs cannot be used in the 10 SFF drive configuration.

(1) FlexibleLOM connection point: (see Step2: HP FlexibleLOM NIC section below for NIC choices to populate the embedded connector)

Smart Array P420i Controller (Cache connection for 512MB, 1GB and 2GB FBWC options)

NOTE: A cache module is required for the P420i when used with the 10 SFF drive cage.

I/O slots - 2 Slots come standard:

- Slot 1 - Low Profile x 8 PCIe 3.0
- Slot 2 - Full-Height/Half-Length x 16 PCIe 3.0

System Fans - 6 (2 additional fans included with second processor)

USB - 4 Rear, 2 Front, 1 Internal

1 Internal SD slot

On System Server Management Processor - HP iLO 4 (embedded)

SID - System Insight Display(Active Health Indicator)

Power Supply not included - choose from Power Options section

NOTE: With new options available for Networking solutions and Rack Rail Kits these options are no longer standard on-board with this Model Part Number. Please see the Networking and HP Rack Options below for optional required options.

Step 2: Choose Required Options (only one of the following from each list unless otherwise noted)

HP Processors

NOTE: If two processors are desired, select one xxxxxx-L21 and one xxxxxx-B21

Entry Processors - E5-2600 v2 series Processors

NOTE: All support up to 1333MHz memory speeds.

HP DL360p Gen8 Intel® Xeon® E5-2609v2 (2.5GHz/4-core/10MB/80W) FIO Processor Kit 712741-L21

HP DL360p Gen8 Intel® Xeon® E5-2603v2 (1.8GHz/4-core/10MB/80W) FIO Processor Kit 712743-L21

Base Processors - E5-2600 v2 series Processors

NOTE: All support up to 1600MHz DDR3 memory speeds.

HP DL360p Gen8 Intel® Xeon® E5-2640v2 (2.0GHz/8-core/20MB/95W) FIO Processor Kit 712731-L21

HP DL360p Gen8 Intel® Xeon® E5-2630v2 (2.6GHz/6-core/15MB/80W) FIO Processor Kit 712733-L21

HP DL360p Gen8 Intel® Xeon® E5-2620v2 (2.1GHz/6-core/15MB/80W) FIO Processor Kit 712735-L21

HP DL360p Gen8 Intel® Xeon® E5-2650Lv2 (1.7GHz/10-core/25MB/70W) FIO Processor Kit 712779-L21

Configuration Information - Factory Integrated Models

HP DL360p Gen8 Intel® Xeon® E5-2630Lv2 (2.4GHz/6-core/15MB/60W) FIO Processor Kit	712781-L21
Performance Processors - E5-2600 v2 series Processors	
NOTE: All support up to 1866MHz DDR3 memory speeds	
HP DL360p Gen8 Intel® Xeon® E5-2697v2 (2.7GHz/12-core/30MB/130W) FIO Processor Kit	712745-L21
HP DL360p Gen8 Intel® Xeon® E5-2695v2 (2.4GHz/12-core/30MB/115W) FIO Processor Kit	712771-L21
HP DL360p Gen8 Intel® Xeon® E5-2690v2 (3.0GHz/10-core/25MB/130W) FIO Processor Kit	712504-L21
HP DL360p Gen8 Intel® Xeon® E5-2680v2 (2.8GHz/10-core/25MB/115W) FIO Processor Kit	712506-L21
HP DL360p Gen8 Intel® Xeon® E5-2670v2 (2.5GHz/10-core/25MB/115W) FIO Processor Kit	712508-L21
HP DL360p Gen8 Intel® Xeon® E5-2667v2 (3.3GHz/8-core/25MB/130W) FIO Processor Kit	712773-L21
HP DL360p Gen8 Intel® Xeon® E5-2660v2 (2.2GHz/10-core/25MB/95W) FIO Processor Kit	712724-L21
HP DL360p Gen8 Intel® Xeon® E5-2643v2 (3.5GHz/6-core/25MB/130W) FIO Processor Kit	712775-L21
HP DL360p Gen8 Intel® Xeon® E5-2650v2 (2.6GHz/8-core/20MB/95W) FIO Processor Kit	712726-L21
HP DL360p Gen8 Intel® Xeon® E5-2637v2 (3.5GHz/4-core/15MB/130W) FIO Processor Kit	712777-L21
Entry Processors - E5-2600 series Processors with screw down heatsinks	
NOTE: All support up to 1066MHz memory speeds.	
HP DL360p Gen8 Intel® Xeon® E5-2609 (2.4GHz/4-core/10MB/80W) FIO Screwdown Processor Kit	745734-L21
HP DL360p Gen8 Intel® Xeon® E5-2603 (1.8GHz/4-core/10MB/80W) FIO Screwdown Processor Kit	745713-L21
Base Processors - E5-2600 series Processors with screwdown heatsinks	
NOTE: All support up to 1333MHz DDR3 memory speeds.	
HP DL360p Gen8 Intel® Xeon® E5-2640 (2.5GHz/6-core/15MB/95W) FIO Screwdown Processor Kit	745717-L21
HP DL360p Gen8 Intel® Xeon® E5-2630 (2.3GHz/6-core/15MB/95W) FIO Screwdown Processor Kit	745715-L21
HP DL360p Gen8 Intel® Xeon® E5-2620 (2.0GHz/6-core/15MB/95W) FIO Screwdown Processor Kit	745736-L21
HP DL360p Gen8 Intel® Xeon® E5-2630L (2.0GHz/6-core/15MB/60W) FIO Screwdown Processor Kit	745727-L21
Performance Processors - E5-2600 series Processors with screwdown heatsinks	
NOTE: All support up to 1600MHz DDR3 memory speeds.	
HP DL360p Gen8 Intel® Xeon® E5-2690 (2.9GHz/8-core/20MB/135W) FIO Screwdown Processor Kit	745721-L21
HP DL360p Gen8 Intel® Xeon® E5-2680 (2.7GHz/8-core/20MB/130W) FIO Screwdown Processor Kit	745744-L21

Configuration Information - Factory Integrated Models

HP DL360p Gen8 Intel® Xeon® E5-2670 (2.6GHz/8-core/20MB/115W) FIO Screwdown Processor Kit	745742-L21
HP DL360p Gen8 Intel® Xeon® E5-2667 (2.9GHz/6-core/15MB/130W) FIO Screwdown Processor Kit	745746-L21
HP DL360p Gen8 Intel® Xeon® E5-2665 (2.4GHz/8-core/20MB/115W) FIO Screwdown Processor Kit	745740-L21
HP DL360p Gen8 Intel® Xeon® E5-2660 (2.2GHz/8-core/20MB/95W) FIO Screwdown Processor Kit	745738-L21
HP DL360p Gen8 Intel® Xeon® E5-2650 (2.0GHz/8-core/20MB/95W) FIO Screwdown Processor Kit	745719-L21
HP DL360p Gen8 Intel® Xeon® E5-2650L (1.8GHz/8-core/20MB/70W) FIO Screwdown Processor Kit	745731-L21
HP DL360p Gen8 Intel® Xeon® E5-2643 (3.3GHz/4-core/10MB/130W) FIO Screwdown Processor Kit	745729-L21
HP DL360p Gen8 Intel® Xeon® E5-2637 (3.0GHz/2-core/5MB/80W) FIO Screwdown Processor Kit	745723-L21

Entry Processors - E5-2600 series Processors with caged heatsinks

NOTE: All support up to 1066MHz memory speeds.

Entry Processors - E5-2600 series Processors with caged heatsinks

NOTE: All support up to 1066MHz memory speeds.

HP DL360p Gen8 Intel® Xeon® E5-2609 (2.4GHz/4-core/10MB/80W) FIO Processor Kit	654766-L21
HP DL360p Gen8 Intel® Xeon® E5-2603 (1.8GHz/4-core/10MB/80W) FIO Processor Kit	654780-L21

Base Processors - E5-2600 series Processors with caged heatsinks

NOTE: All support up to 1333MHz DDR3 memory speeds.

HP DL360p Gen8 Intel® Xeon® E5-2640 (2.5GHz/6-core/15MB/95W) FIO Processor Kit	654770-L21
HP DL360p Gen8 Intel® Xeon® E5-2630 (2.3GHz/6-core/15MB/95W) FIO Processor Kit	654768-L21
HP DL360p Gen8 Intel® Xeon® E5-2620 (2.0GHz/6-core/15MB/95W) FIO Processor Kit	654782-L21
HP DL360p Gen8 Intel® Xeon® E5-2630L (2.0GHz/6-core/15MB/60W) FIO Processor Kit	654764-L21

Performance Processors - E5-2600 series Processors with caged heatsinks

NOTE: All support up to 1600MHz DDR3 memory speeds.

HP DL360p Gen8 Intel® Xeon® E5-2690 (2.9GHz/8-core/20MB/135W) FIO Processor Kit	664011-L21
HP DL360p Gen8 Intel® Xeon® E5-2680 (2.7GHz/8-core/20MB/130W) FIO Processor Kit	654789-L21
HP DL360p Gen8 Intel® Xeon® E5-2670 (2.6GHz/8-core/20MB/115W) FIO Processor Kit	654786-L21
HP DL360p Gen8 Intel® Xeon® E5-2667 (2.9GHz/6-core/15MB/130W) FIO Processor Kit	654791-L21
HP DL360p Gen8 Intel® Xeon® E5-2665 (2.4GHz/8-core/20MB/115W) FIO Processor Kit	666029-L21
HP DL360p Gen8 Intel® Xeon® E5-2660 (2.2GHz/8-core/20MB/95W) FIO Processor Kit	654784-L21
HP DL360p Gen8 Intel® Xeon® E5-2650 (2.0GHz/8-core/20MB/95W) FIO Processor Kit	654772-L21
HP DL360p Gen8 Intel® Xeon® E5-2650L (1.8GHz/8-core/20MB/70W) FIO Processor Kit	654778-L21
HP DL360p Gen8 Intel® Xeon® E5-2643 (3.3GHz/4-core/10MB/130W) FIO Processor Kit	654774-L21
HP DL360p Gen8 Intel® Xeon® E5-2637 (3.0GHz/2-core/5MB/80W) FIO Processor Kit	654776-L21

HP Memory

NOTE: HP memory from previous generation servers are not qualified or warranted with this HP ProLiant Server. HP SmartMemory is required to realize the memory performance improvements and enhanced functionality listed in this document for

Configuration Information - Factory Integrated Models

Gen8. For additional information, please see the HP SmartMemory QuickSpecs at:

http://h18000.www1.hp.com/products/quickspecs/14225_div/14225_div.html

NOTE: LRDIMM, RDIMM, and UDIMM, and HDIMMs are all distinct memory technologies and cannot be mixed within a server. The majority of ProLiant Gen8 servers support LRDIMM, RDIMM and UDIMMs.

Registered DIMMs (RDIMMs)

NOTE: The following memory is supported by the E5-2600 v2 series Processors.

HP 4GB (1x4GB) Single Rank x4 PC3L-12800R (DDR3-1600) Registered CAS-11 Low Voltage Memory Kit	713981-B21
HP 4GB (1x4GB) Single Rank x4 PC3-14900R (DDR3-1866) Registered CAS-13 Memory Kit	708637-B21
HP 8GB (1x8GB) Dual Rank x4 PC3L-12800R (DDR3-1600) Registered CAS-11 Low Voltage Memory Kit	713983-B21
HP 8GB (1x8GB) Single Rank x4 PC3L-12800R (DDR3-1600) Registered CAS-11 Low Voltage Memory Kit	731765-B21
HP 8GB (1x8GB) Dual Rank x4 PC3-14900R (DDR3-1866) Registered CAS-13 Memory Kit	708639-B21
HP 8GB (1x8GB) Single Rank x4 PC3-14900R (DDR3-1866) Registered CAS-13 Memory Kit	731761-B21
HP 16GB (1x16GB) Dual Rank x4 PC3L-12800R (DDR3-1600) Registered CAS-11 Low Voltage Memory Kit	713985-B21
HP 16GB (1x16GB) Dual Rank x4 PC3-14900R (DDR3-1866) Registered CAS-13 Memory Kit	708641-B21

Registered DIMMs (RDIMMs)

NOTE: The following memory is supported by the E5-2600 series Processors.

HP 4GB (1x4GB) Single Rank x4 PC3L-10600R (DDR3-1333) Registered CAS-9 Low Voltage Memory Kit	647893-B21
HP 4GB (1x4GB) Single Rank x4 PC3-12800R (DDR3-1600) Registered CAS-11 Memory Kit	647895-B21
HP 8GB (1x8GB) Dual Rank x4 PC3L-10600R (DDR3-1333) Registered CAS-9 Low Voltage Memory Kit	647897-B21
HP 8GB (1x8GB) Single Rank x4 PC3-12800R (DDR3-1600) Registered CAS-11 Memory Kit	647899-B21
HP 8GB (1x8GB) Dual Rank x4 PC3-12800R (DDR3-1600) Registered CAS-11 Memory Kit	690802-B21
HP 16GB (1x16GB) Dual Rank x4 PC3L-10600R (DDR3-1333) Registered CAS-9 Low Voltage Memory Kit	647901-B21
HP 16GB (1x16GB) Dual Rank x4 PC3-12800R (DDR3-1600) Registered CAS-11 Memory Kit	672631-B21

Unbuffered with ECC DIMMs (UDIMMs)

NOTE: The following memory is supported by the E5-2600 v2 series Processors.

HP 2GB (1x2GB) Single Rank x8 PC3L-12800E (DDR3-1600) Unbuffered CAS-11 Low Voltage Memory Kit	713975-B21
HP 2GB (1x2GB) Single Rank x8 PC3-14900E (DDR3-1866) Unbuffered CAS-13 Memory Kit	708631-B21
HP 4GB (1x4GB) Dual Rank x8 PC3L-12800E (DDR3-1600) Unbuffered CAS-11 Low Voltage Memory Kit	713977-B21

Configuration Information - Factory Integrated Models

HP 4GB (1x4GB) Dual Rank x8 PC3-14900E (DDR3-1866) Unbuffered CAS-13 Memory Kit	708633-B21
HP 8GB (1x8GB) Dual Rank x8 PC3L-12800E (DDR3-1600) Unbuffered CAS-11 Low Voltage Memory Kit	713979-B21
HP 8GB (1x8GB) Dual Rank x8 PC3-14900E (DDR3-1866) Unbuffered CAS-13 Memory Kit	708635-B21

Unbuffered with ECC DIMMs (UDIMMs)

NOTE: The following memory is supported by the E5-2600 series Processors.

HP 2GB (1x2GB) Single Rank x8 PC3-12800E (DDR3-1600) Unbuffered CAS-11 Memory Kit	669320-B21
HP 2GB (1x2GB) Single Rank x8 PC3L-10600E (DDR3-1333) Unbuffered CAS-9 Low Voltage Memory Kit	647905-B21
HP 4GB (1x4GB) Dual Rank x8 PC3-12800E (DDR3-1600) Unbuffered CAS-11 Memory Kit	669322-B21
HP 4GB (1x4GB) Dual Rank x8 PC3L-10600E (DDR3-1333) Unbuffered CAS-9 Low Voltage Memory Kit	647907-B21
HP 8GB (1x8GB) Dual Rank x8 PC3-12800E (DDR3-1600) Unbuffered CAS-11 Memory Kit	669324-B21
HP 8GB (1x8GB) Dual Rank x8 PC3L-10600E (DDR3-1333) Unbuffered CAS-9 Low Voltage Memory Kit	647909-B21

Load Reduced DIMMs (LRDIMMs)

NOTE: The following memory is supported by the E5-2600 v2 series Processors.

HP 32GB (1x32GB) Quad Rank x4 PC3-14900L (DDR3-1866) Load Reduced CAS-13 Memory Kit	708643-B21
---	------------

Load Reduced DIMMs (LRDIMMs)

NOTE: The following memory is supported by the E5-2600 series Processors.

HP 32GB (1x32GB) Quad Rank x4 PC3L-10600L (DDR3-1333) Load Reduced CAS-9 Low Voltage Memory Kit	647903-B21
---	------------

NOTE: All DDR3 memory option kits consist of one DIMM per kit. For detailed memory configuration rules and guidelines, please use the Online DDR3 Memory Configuration Tool: www.hp.com/go/ddr3memory-configurator.

NOTE: Kits described as LP include Low Power DIMMs. For more information on ProLiant Energy Efficient Features, see: www.hp.com/go/proliant-energy-efficient

NOTE: PC3L is a low voltage memory

HP Networking

FlexibleLOM Adapters

NOTE: The HP ProLiant DL360p Gen8 server requires one FlexibleLOM to be installed in the FlexibleLOM slot. The choice is one of the from the "HP Networking" or "HP InfiniBand" sections. The FlexibleLOM Adapters in these two sections are Factory Integrated Options (FIO) only since this server requires a FlexibleLOM in the configuration. The FlexibleLOM Adapters listed in Step 4 are for upgrades or changes from the original FlexibleLOM and the part numbers are different.

NOTE: FLR Indicates new HP FlexibleLOM Adapter for rack server series.

HP Ethernet 1Gb 4-port 331FLR FIO Adapter	684208-B21
HP Ethernet 10Gb 2-port 530FLR-SFP+ FIO Adapter	684210-B21
HP FlexFabric 10Gb 2-port 554FLR-SFP+ FIO Adapter	684213-B21

Configuration Information - Factory Integrated Models

HP Ethernet 1Gb 4-port 366FLR FIO Adapter	684217-B21
HP Ethernet 10Gb 2-port 560FLR-SFP+ FIO Adapter	684218-B21
HP FlexFabric 10Gb 2-port 526FLR-SFP+ FIO Adapter	684219-B21
HP Ethernet 10Gb 2-port 561FLR-T FIO Adapter	700700-B21
HP FlexFabric 10Gb 2-port 534FLR-SFP+ FIO Adapter	700752-B21
HP FlexFabric 10Gb 2-port 533FLR-T FIO Adapter	700760-B21
HP Ethernet 10Gb 2-port 570FLR-SFP+ FIO Adapter	717492-B21
HP Ethernet 10Gb 2-port 571FLR-SFP+ FIO Adapter	728993-B21

NOTE: Please see the QuickSpecs for Technical Specifications and additional information: www.hp.com/go/ProLiantNICs.

HP InfiniBand

HP Infiniband FDR/Ethernet 10Gb/40Gb 2-port 544FLR-QSFP Adapter	649282-B21
HP Infiniband QDR/Ethernet 10Gb 2-port 544FLR-QSFP Adapter	649283-B21

NOTE: 10Gb Ethernet requires the use of the QSFP to SFP+ adapter P/N 655874-B21.

NOTE: Please see the QuickSpecs for additional information:

http://h18000.www1.hp.com/products/quickspecs/13078_div/13078_div.html

HP Power Supplies

NOTE: Mixing of power supplies in the same server is not supported. All power supplies inside a server must be exactly the same model. Mixing Gold, Platinum, and Platinum Plus certified power supplies is not supported.

NOTE: Prior to making a power supply selection it is highly recommended that the HP Power Advisor is run to determine the right size power supply for your server configuration. The HP Power Advisor is located at: www.hp.com/go/hppoweradvisor.

HP Common Slot Titanium Power Supply Kits

NOTE: 96% efficiency with support for HP Power Discovery Services.

HP 750W Common Slot Titanium Hot Plug Power Supply Kit	697581-B21
--	------------

HP Common Slot Platinum Plus Power Supply Kits

NOTE: The following Power Supplies offer 94% Efficiency with support for Intelligent Power Discovery.

HP 460W Common Slot Platinum Plus Hot Plug Power Supply Kit	656362-B21
HP 750W Common Slot Platinum Plus Hot Plug Power Supply Kit	656363-B21
HP 1200W Common Slot Platinum Plus Hot Plug Power Supply Kit	656364-B21

HP Common Slot Gold Power Supplies

NOTE: The following Power Supplies offer up to 92% efficiency

HP 460W Common Slot Gold Hot Plug Power Supply Kit	503296-B21
HP 750W Common Slot Gold Hot Plug Power Supply Kit	512327-B21

HP Common Slot -48VDC Power Supplies

NOTE: The following Power Supplies offer 92% Efficiency.

HP 750W Common Slot -48VDC Hot Plug Power Supply Kit	636673-B21
--	------------

NOTE: The HP 750W Common Slot -48VDC power supply does not ship with a power cable. It has been designed with a terminal block connection allowing for custom design of power cords by the user.

HP Common Slot 277VAC Power Supplies

NOTE: 94% efficiency.

HP 500W Common Slot 277VAC Hot Plug Power Supply Kit	717362-B21
--	------------

Configuration Information - Factory Integrated Models

HP 750W Common Slot 277VAC Hot Plug Power Supply Kit

717364-B21

NOTE: Option Kits for AC power supplies include the power supply and one PDU IEC cable.

NOTE: HP ProLiant servers ship with an IEC-IEC power cord used for rack mounting with Power Distribution Units (PDUs). For a full list of optional HP power cords please go to www.hp.com/products/powercords

NOTE: Power Specification and Technical Content for supported power supplies can be found at:

http://h18000.www1.hp.com/products/quickspecs/14209_div/14209_div.html

Step 3: Choose Additional Factory Integratable Options

HP Rack Kits

NOTE: Gen8 rail kits have changed significantly from prior generation rail kits. Please take a moment to review the installation documentation that comes with the server to help you with the installation of your Gen8 server.

NOTE: Rail kits are optional for Gen8 and are no longer included standard with the server. Customers have the option to purchase their server without a rail kit.

Caution: HP recommends that a minimum of two people are required for all Rack Server installations. Please refer to your installation instructions for proper tools and number of people to use for any installation.

HP 1U Small Form Factor Easy Install Rail Kit

734807-B21

NOTE: For SFF models.

NOTE: Kit contains full extension rails which do allow for in rack serviceability. After the rails are installed the server is aligned with the rails and slid into the rack. The HP 1U Easy Install Cable Management Arm is optional.

Caution: HP recommends that a minimum of two people are required for all Rack Server installations. Please refer to your installation instructions for proper tools and number of people to use for any installation.

HP 1U Large Form Factor Easy Install Rail Kit

734809-B21

NOTE: For LFF models.

NOTE: Kit contains full extension rails which do allow for in rack serviceability. After the rails are installed the server is aligned with the rails and slid into the rack. The HP 1U Easy Install Cable Management Arm is optional.

Caution: HP recommends that a minimum of two people are required for all Rack Server installations. Please refer to your installation instructions for proper tools and number of people to use for any installation.

HP 1U Cable Management Arm for Easy Install Rail Kit

734811-B21

NOTE: Supports Easy Install rail kits only

HP 1U FIO Friction Rail Kit

663200-B21

NOTE: Kit contains non-telescoping friction rails which do not allow for in rack serviceability. The HP 1U Gen8 Cable Management Arm is not available when using Friction Rails.

Caution: HP recommends that a minimum of two people is required for all Rack Server installations. Please refer to your installation instructions for proper tools and number of people to use for any installation.

HP 1U Small Form Factor Ball Bearing Gen8 Rail Kit

663201-B21

NOTE: For SFF models.

Configuration Information - Factory Integrated Models

NOTE: Kit contains telescoping SFF ball bearing rails which do allow for in rack serviceability. After the rails are installed the server is lowered onto the rails and slid into the rack. The HP 1U Gen8 Cable Management Arm is optional. To assist in the installation of the server into the rack an optional installation tool is available by contacting your local services representative (p/n 695539-001). Caution: HP recommends that a minimum of two people are required for all Rack Server installations. Please refer to your installation instructions for proper tools and number of people to use for any installation.

Caution: HP recommends that a minimum of two people are required for all Rack Server installations. Please refer to your installation instructions for proper tools and number of people to use for any installation.

HP 1U Large Form Factor Ball Bearing Gen8 Rail Kit

663202-B21

NOTE: For LFF models.

NOTE: Kit contains telescoping LFF ball bearing rails which do allow for in rack serviceability. After the rails are installed the server is lowered onto the rails and slid into the rack. The HP 1U Gen8 Cable Management Arm is optional. To assist in the installation of the server into the rack an optional installation tool is available by contacting your local services representative (p/n 695539-001). Caution: HP recommends that a minimum of two people are required for all Rack Server installations. Please refer to your installation instructions for proper tools and number of people to use for any installation.

Caution: HP recommends that a minimum of two people are required for all Rack Server installations. Please refer to your installation instructions for proper tools and number of people to use for any installation.

HP 1U Cable Management Arm for Ball Bearing Gen8 Rail Kit

663203-B21

NOTE: Supports Ball Bearing rail kits only

HP Insight Software	HP Insight Control including 1yr 24x7 Support ProLiant ML/DL/BL-bundle Single Server FIO License	C6N36A
	HP Insight Control including 1yr 24x7 Support ProLiant ML/DL/BL-bundle FIO Electronic License	C6N36ABE

Converged Infrastructure Management Software	HP OneView with iLO Advanced - Server hardware required on same purchase order	
	HP OneView incl 3yr 24x7 Supp FIO Bundle Phys 1 Svr Lic	E5Y43A

Step 4: Choose Additional Options for Factory Integration

NOTE: For additional options, please refer to the "Core Options" and "Additional Options" section below.

Core Options

NOTE: Some options may not be integrated at the factory. To ensure only valid configurations are ordered, HP recommends the use of an HP approved configurator. Contact your local sales representative for additional information.

HP Unique Options HP DL360 Gen8 Front Video Adapter Kit 655915-B21

HP Processors

NOTE: Customers who have DL360p Gen8 servers with E5-2600 processors and want to upgrade to E5-2600v2 processors will need to contact their HP representative for a list of SKUs that are compatible with that system.

NOTE: If two processors are desired, select the second from the xxxxxx-B21 below.

Entry Processors - E5-2600 series Processors with screw down heatsinks

NOTE: All support up to 1066MHz memory speeds.

HP DL360p Gen8 Intel® Xeon® E5-2609 (2.4GHz/4-core/10MB/80W) Screwdown Processor Kit 745734-B21

HP DL360p Gen8 Intel® Xeon® E5-2603 (1.8GHz/4-core/10MB/80W) Screwdown Processor Kit 745713-B21

Base Processors - E5-2600 series Processors with screwdown heatsinks

NOTE: All support up to 1333MHz DDR3 memory speeds.

HP DL360p Gen8 Intel® Xeon® E5-2640 (2.5GHz/6-core/15MB/95W) Screwdown Processor Kit 745717-B21

HP DL360p Gen8 Intel® Xeon® E5-2630 (2.3GHz/6-core/15MB/95W) Screwdown Processor Kit 745715-B21

HP DL360p Gen8 Intel® Xeon® E5-2620 (2.0GHz/6-core/15MB/95W) Screwdown Processor Kit 745736-B21

HP DL360p Gen8 Intel® Xeon® E5-2630L (2.0GHz/6-core/15MB/60W) Screwdown Processor Kit 745727-B21

Performance Processors - E5-2600 series Processors with screwdown heatsinks

NOTE: All support up to 1600MHz DDR3 memory speeds.

HP DL360p Gen8 Intel® Xeon® E5-2690 (2.9GHz/8-core/20MB/135W) Screwdown Processor Kit 745721-B21

HP DL360p Gen8 Intel® Xeon® E5-2680 (2.7GHz/8-core/20MB/130W) Screwdown Processor Kit 745744-B21

HP DL360p Gen8 Intel® Xeon® E5-2670 (2.6GHz/8-core/20MB/115W) Screwdown Processor Kit 745742-B21

HP DL360p Gen8 Intel® Xeon® E5-2667 (2.9GHz/6-core/15MB/130W) Screwdown Processor Kit 745746-B21

HP DL360p Gen8 Intel® Xeon® E5-2665 (2.4GHz/8-core/20MB/115W) Screwdown Processor Kit 745740-B21

HP DL360p Gen8 Intel® Xeon® E5-2660 (2.2GHz/8-core/20MB/95W) Screwdown Processor Kit 745738-B21

HP DL360p Gen8 Intel® Xeon® E5-2650 (2.0GHz/8-core/20MB/95W) Screwdown Processor Kit 745719-B21

HP DL360p Gen8 Intel® Xeon® E5-2650L (1.8GHz/8-core/20MB/70W) Screwdown Processor Kit 745731-B21

HP DL360p Gen8 Intel® Xeon® E5-2643 (3.3GHz/4-core/10MB/130W) Screwdown Processor Kit 745729-B21

Core Options

HP DL360p Gen8 Intel® Xeon® E5-2637 (3.0GHz/2-core/5MB/80W) Screwdown Processor Kit	745723-B21
---	------------

HP Memory

NOTE: HP memory from previous generation servers are not qualified or warranted with this HP ProLiant Server. HP SmartMemory is required to realize the memory performance improvements and enhanced functionality listed in this document for Gen8. For additional information, please see the HP SmartMemory QuickSpecs at: http://h18000.www1.hp.com/products/quickspecs/14225_div/14225_div.html

NOTE: LRDIMM, RDIMM, and UDIMM, and HDIMMs are all distinct memory technologies and cannot be mixed within a server. The majority of ProLiant Gen8 servers support LRDIMM, RDIMM and UDIMMs.

Registered DIMMs (RDIMMs)

NOTE: The following memory is supported by the E5-2600 v2 series Processors.

HP 4GB (1x4GB) Single Rank x4 PC3L-12800R (DDR3-1600) Registered CAS-11 Low Voltage Memory Kit	713981-B21
HP 4GB (1x4GB) Single Rank x4 PC3-14900R (DDR3-1866) Registered CAS-13 Memory Kit	708637-B21
HP 8GB (1x8GB) Dual Rank x4 PC3L-12800R (DDR3-1600) Registered CAS-11 Low Voltage Memory Kit	713983-B21
HP 8GB (1x8GB) Single Rank x4 PC3L-12800R (DDR3-1600) Registered CAS-11 Low Voltage Memory Kit	731765-B21
HP 8GB (1x8GB) Dual Rank x4 PC3-14900R (DDR3-1866) Registered CAS-13 Memory Kit	708639-B21
HP 8GB (1x8GB) Single Rank x4 PC3-14900R (DDR3-1866) Registered CAS-13 Memory Kit	731761-B21
HP 16GB (1x16GB) Dual Rank x4 PC3L-12800R (DDR3-1600) Registered CAS-11 Low Voltage Memory Kit	713985-B21
HP 16GB (1x16GB) Dual Rank x4 PC3-14900R (DDR3-1866) Registered CAS-13 Memory Kit	708641-B21

Registered DIMMs (RDIMMs)

NOTE: The following memory is supported by the E5-2600 series Processors.

HP 4GB (1x4GB) Single Rank x4 PC3L-10600R (DDR3-1333) Registered CAS-9 Low Voltage Memory Kit	647893-B21
HP 4GB (1x4GB) Single Rank x4 PC3-12800R (DDR3-1600) Registered CAS-11 Memory Kit	647895-B21
HP 8GB (1x8GB) Dual Rank x4 PC3L-10600R (DDR3-1333) Registered CAS-9 Low Voltage Memory Kit	647897-B21
HP 8GB (1x8GB) Single Rank x4 PC3-12800R (DDR3-1600) Registered CAS-11 Memory Kit	647899-B21
HP 8GB (1x8GB) Dual Rank x4 PC3-12800R (DDR3-1600) Registered CAS-11 Memory Kit	690802-B21
HP 16GB (1x16GB) Dual Rank x4 PC3L-10600R (DDR3-1333) Registered CAS-9 Low Voltage Memory Kit	647901-B21
HP 16GB (1x16GB) Dual Rank x4 PC3-12800R (DDR3-1600) Registered CAS-11 Memory Kit	672631-B21

Unbuffered with ECC DIMMs (UDIMMs)

NOTE: The following memory is supported by the E5-2600 v2 series Processors.



Core Options

HP 2GB (1x2GB) Single Rank x8 PC3L-12800E (DDR3-1600) Unbuffered CAS-11 Low Voltage Memory Kit	713975-B21
HP 2GB (1x2GB) Single Rank x8 PC3-14900E (DDR3-1866) Unbuffered CAS-13 Memory Kit	708631-B21
HP 4GB (1x4GB) Dual Rank x8 PC3L-12800E (DDR3-1600) Unbuffered CAS-11 Low Voltage Memory Kit	713977-B21
HP 4GB (1x4GB) Dual Rank x8 PC3-14900E (DDR3-1866) Unbuffered CAS-13 Memory Kit	708633-B21
HP 8GB (1x8GB) Dual Rank x8 PC3L-12800E (DDR3-1600) Unbuffered CAS-11 Low Voltage Memory Kit	713979-B21
HP 8GB (1x8GB) Dual Rank x8 PC3-14900E (DDR3-1866) Unbuffered CAS-13 Memory Kit	708635-B21
Unbuffered with ECC DIMMs (UDIMMs)	
NOTE: The following memory is supported by the E5-2600 series Processors.	
HP 2GB (1x2GB) Single Rank x8 PC3-12800E (DDR3-1600) Unbuffered CAS-11 Memory Kit	669320-B21
HP 2GB (1x2GB) Single Rank x8 PC3L-10600E (DDR3-1333) Unbuffered CAS-9 Low Voltage Memory Kit	647905-B21
HP 4GB (1x4GB) Dual Rank x8 PC3-12800E (DDR3-1600) Unbuffered CAS-11 Memory Kit	669322-B21
HP 4GB (1x4GB) Dual Rank x8 PC3L-10600E (DDR3-1333) Unbuffered CAS-9 Low Voltage Memory Kit	647907-B21
HP 8GB (1x8GB) Dual Rank x8 PC3-12800E (DDR3-1600) Unbuffered CAS-11 Memory Kit	669324-B21
HP 8GB (1x8GB) Dual Rank x8 PC3L-10600E (DDR3-1333) Unbuffered CAS-9 Low Voltage Memory Kit	647909-B21
Load Reduced DIMMs (LRDIMMs)	
NOTE: The following memory is supported by the E5-2600 v2 series Processors.	
HP 32GB (1x32GB) Quad Rank x4 PC3-14900L (DDR3-1866) Load Reduced CAS-13 Memory Kit	708643-B21
Load Reduced DIMMs (LRDIMMs)	
NOTE: The following memory is supported by the E5-2600 series Processors.	
HP 32GB (1x32GB) Quad Rank x4 PC3L-10600L (DDR3-1333) Load Reduced CAS-9 Low Voltage Memory Kit	647903-B21
NOTE: All DDR3 memory option kits consist of one DIMM per kit. For detailed memory configuration rules and guidelines, please use the Online DDR3 Memory Configuration Tool: www.hp.com/go/ddr3memory-configurator .	
NOTE: Kits described as LP include Low Power DIMMs. For more information on ProLiant Energy Efficient Features, see: www.hp.com/go/proliant-energy-efficient	
NOTE: PC3L is a low voltage memory	

HP Optical Drives

HP 9.5mm SATA DVD-ROM JackBlack Optical Drive	652238-B21
HP 9.5mm SATA DVD-RW JackBlack Optical Drive	652241-B21

Core Options

HP Hard Drives

NOTE: The HP ProLiant DL360p Gen8 Smart Storage solutions are equipped with entirely re-designed Small Form Factor (SFF 2.5 in) and Large Form Factor (LFF 3.5 in) hot plug carriers for HP Qualified Hard Drives and Solid State Drives. These new carriers provide status and activity indicators as well as caution indicators for "Do Not Remove".

NOTE: The components of a storage subsystem (e.g. the drive, the HBA/controller, firmware, and the server backplane) should operate at the same data transfer rate or the system bandwidth will be negotiated down to an acceptable level for all components.

NOTE: Hard drives have either a one year or three year warranty; refer to the specific hard drive QuickSpecs for details.

SAS Hot Plug with SmartDrive SFF (2.5-inch) Enterprise Drives

HP 1.2TB 6G SAS 10K rpm SFF (2.5-inch) SC Enterprise 3yr Warranty Hard Drive	697574-B21
HP 900GB 6G SAS 10K rpm SFF (2.5-inch) SC Enterprise 3yr Warranty Hard Drive	652589-B21
HP 600GB 6G SAS 10K rpm SFF (2.5-inch) SC Enterprise 3yr Warranty Hard Drive	652583-B21
HP 450GB 6G SAS 10K rpm SFF (2.5-inch) SC Enterprise 3yr Warranty Hard Drive	652572-B21
HP 300GB 6G SAS 10K rpm SFF (2.5-inch) SC Enterprise 3yr Warranty Hard Drive	652564-B21
HP 300GB 6G SAS 15K rpm SFF (2.5-inch) SC Enterprise 3yr Warranty Hard Drive	652611-B21
HP 146GB 6G SAS 15K rpm SFF (2.5-inch) SC Enterprise 3yr Warranty Hard Drive	652605-B21

SAS Hot Plug SmartDrive SFF (2.5-inch) Midline Drives

HP 1TB 6G SAS 7.2K rpm SFF (2.5-inch) SC Midline 1yr Warranty Hard Drive	652749-B21
HP 500GB 6G SAS 7.2K rpm SFF (2.5-inch) SC Midline 1yr Warranty Hard Drive	652745-B21

SAS Hot Plug SmartDrive LFF (3.5-inch) Enterprise Drives

HP 600GB 6G SAS 15K rpm LFF (3.5-inch) SC Enterprise 3yr Warranty Hard Drive	652620-B21
HP 450GB 6G SAS 15K rpm LFF (3.5-inch) SC Enterprise 3yr Warranty Hard Drive	652615-B21

SAS Hot Plug SmartDrive LFF (3.5-inch) Midline Drives

HP 4TB 6G SAS 7.2K rpm LFF (3.5-inch) SC Midline 1yr Warranty Hard Drive	695510-B21
HP 3TB 6G SAS 7.2K rpm LFF (3.5-inch) SC Midline 1yr Warranty Hard Drive	652766-B21
HP 2TB 6G SAS 7.2K rpm LFF (3.5-inch) SC Midline 1yr Warranty Hard Drive	652757-B21
HP 1TB 6G SAS 7.2K rpm LFF (3.5-inch) SC Midline 1yr Warranty Hard Drive	652753-B21

NOTE: Please see the QuickSpecs for Technical Specifications and additional information:

http://h18000.www1.hp.com/products/quickspecs/12244_div/12244_div.html
(Worldwide)

6G SATA Hot Plug with SmartDrive SFF (2.5-inch) Midline (MDL) Drives

HP 1TB 6G SATA 7.2K rpm SFF (2.5-inch) SC Midline 1yr Warranty Hard Drive	655710-B21
HP 500GB 6G SATA 7.2K rpm SFF (2.5-inch) SC Midline 1yr Warranty Hard Drive	655708-B21

6G SATA Hot Plug with SmartDrive LFF (3.5-inch) Midline (MDL) Drives

HP 4TB 6G SATA 7.2k rpm LFF (3.5-inch) SC Midline 1yr Warranty Hard Drive	693687-B21
HP 3TB 6G SATA 7.2K rpm LFF (3.5-inch) SC Midline 1yr Warranty Hard Drive	628061-B21
HP 2TB 6G SATA 7.2K rpm LFF (3.5-inch) SC Midline 1yr Warranty Hard Drive	658079-B21
HP 1TB 6G SATA 7.2K rpm LFF (3.5-inch) SC Midline 1yr Warranty Hard Drive	657750-B21
HP 500GB 6G SATA 7.2K rpm LFF (3.5-inch) SC Midline 1yr Warranty Hard Drive	658071-B21

Core Options

NOTE: Please see the QuickSpecs for Technical Specifications and additional information:

http://h18000.www1.hp.com/products/quickspecs/13021_div/13021_div.html
(Worldwide)

6G SATA Value Endurance Hot Plug SFF (2.5-inch) Enterprise Boot Solid State Drives

HP 120GB 6G SATA Value Endurance SFF 2.5-in SC Enterprise Boot 3yr Wty Solid State Drive 717965-B21

HP 80GB 6G SATA Value Endurance SFF 2.5-in SC Enterprise Boot 3yr Wty Solid State Drive 734360-B21

6G SATA Value Endurance Hot Plug LFF (3.5-inch) Enterprise Boot Solid State Drives

HP 120GB 6G SATA Value Endurance LFF 3.5-in SC Enterprise Boot 3yr Wty Solid State Drive 718171-B21

HP 80GB 6G SATA Value Endurance LFF 3.5-in SC Enterprise Boot 3yr Wty Solid State Drive 734362-B21

6G SATA Value Endurance Hot Plug SFF (2.5-inch) Enterprise Value Solid State Drives

HP 800GB 6G SATA Value Endurance SFF 2.5-in SC Enterprise Value 3yr Wty Solid State Drive 717973-B21

HP 600GB 6G SATA Value Endurance SFF 2.5-in SC Enterprise Boot 3yr Wty Solid State Drive 739898-B21

HP 480GB 6G SATA Value Endurance SFF 2.5-in SC Enterprise Value 3yr Wty Solid State Drive 717971-B21

HP 300GB 6G SATA Value Endurance SFF 2.5-in SC Enterprise Boot 3yr Wty Solid State Drive 739888-B21

HP 240GB 6G SATA Value Endurance SFF 2.5-in SC Enterprise Value 3yr Wty Solid State Drive 717969-B21

6G SATA Value Endurance Hot Plug LFF (3.5-inch) Enterprise Value Solid State Drives

HP 800GB 6G SATA Value Endurance LFF 3.5-in SC Enterprise Value 3yr Wty Solid State Drive 718189-B21

HP 600GB 6G SATA Value Endurance LFF 3.5-in SC Enterprise Boot 3yr Wty Solid State Drive 739900-B21

HP 480GB 6G SATA Value Endurance LFF 3.5-in SC Enterprise Value 3yr Wty Solid State Drive 718183-B21

HP 300GB 6G SATA Value Endurance LFF 3.5-in SC Enterprise Boot 3yr Wty Solid State Drive 739890-B21

HP 240GB 6G SATA Value Endurance LFF 3.5-in SC Enterprise Value 3yr Wty Solid State Drive 718177-B21

6G SATA ME Hot Plug SFF (2.5-inch) Enterprise Mainstream Solid State Drives

HP 800GB 6G SATA Mainstream Endurance SFF 2.5-in SC Enterprise Mainstream 3yr Wty Solid State Drive 691868-B21

HP 400GB 6G SATA Mainstream Endurance SFF 2.5-in SC Enterprise Mainstream 3yr Wty Solid State Drive 691866-B21

HP 200GB 6G SATA Mainstream Endurance SFF 2.5-in SC Enterprise Mainstream 3yr Wty Solid State Drive 691864-B21

Core Options

HP 100GB 6G SATA Mainstream Endurance SFF 2.5-in SC Enterprise Mainstream 3yr Wty Solid State Drive	691862-B21
6G SATA ME Hot Plug LFF (3.5-inch) Enterprise Mainstream Solid State Drives	
HP 800GB 6G SATA Mainstream Endurance LFF 3.5-in SC Enterprise Mainstream 3yr Wty Solid State Drive	691860-B21
HP 400GB 6G SATA Mainstream Endurance LFF 3.5-in SC Enterprise Mainstream 3yr Wty Solid State Drive	691856-B21
HP 200GB 6G SATA Mainstream Endurance LFF 3.5-in SC Enterprise Mainstream 3yr Wty Solid State Drive	691854-B21
HP 100GB 6G SATA Mainstream Endurance LFF 3.5-in SC Enterprise Mainstream 3yr Wty Solid State Drive	691852-B21
6G SAS ME Hot Plug SFF (2.5-inch) Enterprise Mainstream Solid State Drives	
HP 800GB 6G SAS Mainstream Endurance SFF 2.5-in SC Enterprise Mainstream 3yr Wty Solid State Drive	690829-B21
HP 400GB 6G SAS Mainstream Endurance SFF 2.5-in SC Enterprise Mainstream 3yr Wty Solid State Drive	690827-B21
HP 200GB 6G SAS Mainstream Endurance SFF 2.5-in SC Enterprise Mainstream 3yr Wty Solid State Drive	690825-B21
6G SAS SLC Hot Plug SFF (2.5-inch) Enterprise Performance Solid State Drives	
HP 400GB 6G SAS SLC SFF (2.5-inch) SC Enterprise Performance 3yr Warranty Solid State Drive	653082-B21
HP 200GB 6G SAS SLC SFF (2.5-inch) SC Enterprise Performance 3yr Warranty Solid State Drive	653078-B21
NOTE: Please see the QuickSpecs for Technical Specifications and additional information: http://h18000.www1.hp.com/products/quickspecs/14038_div/14038_div.html (Worldwide)	
Hard Drive Kits	
NOTE: All Factory Integrated Models will be populated with sufficient hard drive blanks based on the number of initial hard drives ordered with the server.	
HP SFF Gen8 Hard Drive Blank Kit	666987-B21
HP LFF Gen8 Hard Drive Blank Kit	666986-B21
Hard Drive Cables	
HP DL38x/DL360 Gen8 Embedded SATA Cable Kit	664009-B21
NOTE: This cable is only required to connect a single SATA drive to the embedded Intel SATA controller. The P420i controller is not used in this configuration and should be disabled via RBSU to save power.	

Core Options

HP Networking

Gigabit Ethernet Adapters

HP NC112T PCI Express Gigabit Server Adapter	503746-B21
HP NC365T 4-port Ethernet Server Adapter	593722-B21
HP Ethernet 1Gb 4-port 331T Adapter	647594-B21
HP Ethernet 1Gb 2-port 361T Adapter	652497-B21
HP Ethernet 1Gb 2-port 332T Adapter	615732-B21

10 Gigabit Ethernet Adapters

NOTE: A minimum of two Gigabytes (2 GB) of server memory is required per each adapter.

NOTE: Direct Attach Cable (DAC) for copper environments or fiber transceivers and cables for fiber-optic environments must be purchased separately. See cables/options below.

HP NC552SFP 10Gb 2-port Ethernet Server Adapter	614203-B21
HP NC523SFP 10Gb 2-port Server Adapter	593717-B21
HP Ethernet 10Gb 2-port 530SFP Adapter	652503-B21
HP Ethernet 10Gb 2-port 530T Adapter	656596-B21
HP Ethernet 10Gb 2-port 560SFP+ Adapter	665249-B21
HP Ethernet 10Gb 2-port 561T Adapter	716591-B21
HP Ethernet 10Gb 2-port 570SFP+ Adapter	718904-B21
HP Ethernet 10Gb 2-port 571SFP+ Adapter	728987-B21

FlexibleLOM Adapters

NOTE: For the following FlexibleLOM Network Adapters, only 1 FlexibleLOM can be added to the server, which is selected in Step 2 of the "Configuration Information - Factory Integrated Models" section. These options are for upgrade or change from original configuration after the server is shipped.

HP Ethernet 1Gb 4-port 331FLR Adapter	629135-B21
HP Ethernet 1Gb 4-port 366FLR Adapter	665240-B21
HP Ethernet 10Gb 2-port 530FLR-SFP+ Adapter	647581-B21
HP FlexFabric 10Gb 2-port 526FLR-SFP+ Adapter	629138-B21
HP FlexFabric 10Gb 2-port 533FLR-T Adapter	700759-B21
HP FlexFabric 10Gb 2-port 534FLR-SFP+ Adapter	700751-B21
HP FlexFabric 10Gb 2-port 554FLR-SFP+ Adapter	629142-B21
HP Ethernet 10Gb 2-port 560FLR-SFP+ Adapter	665243-B21
HP Ethernet 10Gb 2-port 561FLR-T Adapter	700699-B21
HP Ethernet 10Gb 2-port 570FLR-SFP+ Adapter	717491-B21
HP Ethernet 10Gb 2-port 571FLR-SFP+ Adapter	728992-B21

NOTE: SFP Transceivers for the 530FLR-SFP+ are not included with the server and must be purchased separately.

NOTE: Please see the QuickSpecs for Technical Specifications and additional information: www.hp.com/go/ProLiantNICs.

Core Options

HP InfiniBand

QLogic InfiniBand 4X QDR PCI-E G2 Dual Port HCA 583211-B21

HP Infiniband FDR/Ethernet 10Gb/40Gb 2-port 544QSFP Adapter 649281-B21

NOTE: For the following two InfiniBand Adapters, only 1 FlexibleLOM can be added to the server, which is selected in Step 2 for the "Configuration Information - Factory Integrated Models" section. These two options are for upgrade or change from original configuration.

NOTE: FLR Indicates new HP FlexibleLOM Adapter series.

HP Infiniband FDR/Ethernet 10Gb/40Gb 2-port 544FLR-QSFP Adapter 649282-B21

HP Infiniband QDR/Ethernet 10Gb 2-port 544FLR-QSFP Adapter 649283-B21

NOTE: 10Gb Ethernet requires the use of the QSFP to SFP+ adapter P/N 655874-B21.

NOTE: Please see the QuickSpecs for additional information:

http://h18000.www1.hp.com/products/quickspecs/13078_div/13078_div.html

HP Power Supplies

NOTE: Mixing of power supplies in the same server is not supported. All power supplies inside a server must be exactly the same model. Mixing Gold, Platinum, and Platinum Plus certified power supplies is not supported.

NOTE: Prior to making a power supply selection it is highly recommended that the HP Power Advisor is run to determine the right size power supply for your server configuration. The HP Power Advisor is located at: www.hp.com/go/hppoweradvisor

HP Common Slot Titanium Power Supply Kits

NOTE: 96% efficiency with support for HP Power Discovery Services.

HP 750W Common Slot Titanium Hot Plug Power Supply Kit 697581-B21

HP Common Slot Platinum Plus Power Supply Kits

NOTE: The following Power Supplies offer 94% Efficiency with support for Intelligent Power Discovery.

HP 460W Common Slot Platinum Plus Hot Plug Power Supply Kit 656362-B21

HP 750W Common Slot Platinum Plus Hot Plug Power Supply Kit 656363-B21

HP 1200W Common Slot Platinum Plus Hot Plug Power Supply Kit 656364-B21

HP Common Slot Gold Power Supplies

NOTE: The following Power Supplies offer up to 92% efficiency.

HP 460W Common Slot Gold Hot Plug Power Supply Kit 503296-B21

HP 750W Common Slot Gold Hot Plug Power Supply Kit 512327-B21

HP Common Slot -48VDC Power Supplies

NOTE: The following Power Supplies offer 92% Efficiency.

HP 750W Common Slot -48VDC Hot Plug Power Supply Kit 636673-B21

NOTE: The HP 750W Common Slot -48VDC power supply does not ship with a power cable. It has been designed with a terminal block connection allowing for custom design of power cords by the user.

HP Common Slot 277VAC Power Supplies

NOTE: 94% efficiency.

HP 500W Common Slot 277VAC Hot Plug Power Supply Kit 717362-B21

HP 750W Common Slot 277VAC Hot Plug Power Supply Kit 717364-B21

Core Options

NOTE: Option Kits for AC power supplies include the power supply and one PDU IEC cable.

NOTE: HP ProLiant servers ship with an IEC-IEC power cord used for rack mounting with Power Distribution Units (PDUs). For a full list of optional HP power cords please go to www.hp.com/products/powercords

NOTE: Power Specification and Technical Content for supported power supplies can be found at:

http://h18000.www1.hp.com/products/quickspecs/14209_div/14209_div.html

HP Graphic Options

HP DL360 Gen8 Front Video Adapter Kit

655915-B21

Additional Options

NOTE: Some options may not be integrated at the factory. To ensure only valid configurations are ordered, HP recommends the use of an HP approved configurator. Contact your local sales representative for additional information.

HP Insight Software

HP Insight Control

HP Insight Control including 1yr 24x7 Technical Support and Updates Single Server License	C6N27A
HP Insight Control including 1yr 24x7 Technical Support and Updates Electronic License	C6N28ABE
HP Insight Control Server Provisioning Media Kit	BD883A
HP Insight Management Media Kit	C6N31A
HP Insight Control Server Deployment including 1yr 24x7 Support Electronic License	T9082AAE
HP Insight Control Server Deployment including 1yr 24x7 Support Single Server License	452151-B21

NOTE: Electronic and Flexible-Quantity licenses can be used to purchase multiple licenses with a single activation key.

NOTE: Customer will receive a license entitlement certificate. The license entitlement certificate must be redeemed online or via fax in order to obtain the license activation key(s). Includes one year of 24 x 7 HP Software Technical Support and Update Service.

NOTE: Licenses ship without media. The HP Insight Control Media Kit can be ordered separately, or can be downloaded at: <http://www.hp.com/go/insightupdates>.

NOTE: For additional license options please see the QuickSpecs at:

http://h18000.www1.hp.com/products/quickspecs/12631_div/12631_div.html

HP Integrated Lights-Out (iLO) Advanced for ProLiant

HP iLO Advanced including 1yr 24x7 Technical Support and Updates Electronic License	E6U59ABE
NOTE: The Electronic software license is available in EMEA only.	
HP iLO Advanced including 3yr 24x7 Tech Support and Updates Electronic License	E6U64ABE
NOTE: The Electronic software license is available in EMEA only.	
HP iLO Advanced including 1yr 24x7 Technical Support and Updates Single Server License	512485-B21
HP iLO Advanced 1 Server License with 3yr 24x7 Tech Support and Updates	BD505A
NOTE: For additional license options please see the QuickSpecs at:	
http://h18004.www1.hp.com/products/quickspecs/14276_div/14276_div.html NOTE: For more information, visit: http://www.hp.com/go/ilo	

Converged Infrastructure Management Software

HP OneView

Management Software

HP OneView with iLO Advanced

HP OneView incl 3yr 24x7 Supp Phys 1 Svr Lic	E5Y34A
HP OneView Media Kit Phys No Lic	E5Y37A

HP OneView without iLO Advanced

HP OneView w/o iLO Adv incl 3yr 24x7 Supp Phys 1 Svr Lic	E5Y38A
--	--------

NOTE: Please see the QuickSpecs for Technical Specifications and additional information:

http://h18000.www1.hp.com/products/quickspecs/14621_div/14621_div.html (Worldwide)

Additional Options

High Performance Clusters

HP Cluster Management Utility

HP Insight Cluster Management Utility 1yr 24x7 Flexible License

QL803B

HP Insight Cluster Management Utility 3yr 24x7 Flexible License

BD476A

NOTE: These part numbers can be used to purchase one certificate for multiple licenses and support with a single activation key. Each license is for one node (server). Customer will receive a printed end user license agreement and license entitlement certificate via physical shipment. The license entitlement certificate must be redeemed online in order to obtain a license key. Customer also will receive a support agreement.

HP Insight Cluster Management Utility Media

BD477A

NOTE: For additional license kits please see the QuickSpecs at

http://h18004.www1.hp.com/products/quickspecs/12612_div/12612_div.html.

HP I/O Accelerator Options

Second Generation Accelerators

HP 365GB Multi Level Cell G2 PCIe ioDrive2 for ProLiant Servers

673642-B21

HP 785GB Multi Level Cell G2 PCIe ioDrive2 for ProLiant Servers

673644-B21

HP 1205GB Multi Level Cell G2 PCIe ioDrive2 for ProLiant Servers

673646-B21

HP 2410GB Multi Level Cell G2 PCIe ioDrive2 Duo for ProLiant Servers

673648-B21

HP 3TB G2 FH/HL PCIe ioDrive2 IO Accelerator for ProLiant Servers

721458-B21

NOTE: Please see the QuickSpecs for Technical Specifications and additional information:

http://h18000.www1.hp.com/products/quickspecs/13587_div/13587_div.html (Worldwide)

HP PCIe Workload Accelerator Options

Mainstream Endurance (ME) PCIe Workload Accelerators

HP 1.4TB HH/HL Mainstream Endurance (ME) PCIe Workload Accelerator

729307-B21

HP 700GB HH/HL Mainstream Endurance (ME) PCIe Workload Accelerator

729305-B21

High Endurance (HE) PCIe Workload Accelerators

HP 700GB HH/HL High Endurance (HE) PCIe Workload Accelerator

708090-B21

HP 350GB HH/HL High Endurance (HE) PCIe Workload Accelerator

708088-B21

NOTE: Please see the QuickSpecs for Technical Specifications and additional information:

http://h18000.www1.hp.com/products/quickspecs/14528_div/14528_div.html (Worldwide)

Additional Options

HP Security	<p>HP Trusted Platform Module Option 488069-B21</p> <p>NOTE: The TPM (Trusted Platform Module) is a microcontroller chip that can securely store artifacts used to authenticate the server platform. These artifacts can include passwords, certificates and encryption keys. Windows® BitLocker™ Drive Encryption (BitLocker) is a data protection feature available in Windows Server® 2008. BitLocker leverages the enhanced security capabilities of a Trusted Platform Module (TPM) version 1.2. The TPM works with BitLocker to help protect user data and to ensure that a server running Windows Server 2008 has not been tampered with while the system was offline. For more information about TPM, including a white paper, go to: www.hp.com/go/TPM.</p> <p>NOTE: ProLiant OS pre-installed units will come with the partition required for TPM deployment.</p> <p>NOTE: The TPM key is unique to every TPM deployed server and must be retained. Misplacing or losing the key could result in data loss.</p>
	<p>HP 1U Security Gen8 Bezel Kit 664918-B21</p>

HP Storage Controllers

SAS Controllers

Smart Array P222 Controller

HP Smart Array P222/512 FBWC 6Gb 1-port Int/1-port Ext SAS Controller 631667-B21

NOTE: A quantity of 1 HP Mini SAS Str to Left 33in Cable Assy (662899-B21) is required for proper connectivity.

Smart Array P421 Controller

HP Smart Array P421/1GB FBWC 6Gb 2-ports Ext SAS Controller 631673-B21

HP Smart Array P421/2GB FBWC 6Gb 2-ports Ext SAS Controller 631674-B21

Smart Array P430 Controller

HP Smart Array P430/2GB FBWC 6Gb 1-port Int SAS Controller 698529-B21

Smart Array P431 Controller

HP Smart Array P431/2GB FBWC 6Gb 2-ports Ext SAS Controller 698531-B21

Smart Array P822 Controller

HP Smart Array P822/2GB FBWC 2-ports Int/4-ports Ext SAS Controller 615418-B21

NOTE: A quantity of 2 HP Mini SAS Str to Left 33in Cable Assy (662899-B21) are required for proper connectivity.

Optional Upgrades

HP 1GB P-series Smart Array Flash Backed Write Cache 631679-B21

HP 2GB P-series Smart Array Flash Backed Write Cache 631681-B21

HP 512MB P-series Smart Array Flash Backed Write Cache 661069-B21

HP Mini SAS Straight to Left 33in Cable Assembly 662899-B21

HP Internal SAS 68-pin SFF-8087 2x36-pin SFF-8087 Left Exit Cable 730603-B21

HP Internal SAS 68-pin SFF-8087 1x36-pin SFF-8087 Left Exit Cable 730612-B21

HP SmartCache Nm 24x7 Supp 1 Svr Lic D7S26A

HP SmartCache Nm 24x7 Supp Flex Lic D7S27A

HP SmartCache Nm 24x7 Supp E-LTU D7S27AAE

NOTE: Please see the QuickSpecs for Technical Specifications and additional

Additional Options

information:

http://h18000.www1.hp.com/products/quickspecs/14227_div/14227_div.html

(Smart Array P222 Controller)

http://h18000.www1.hp.com/products/quickspecs/14624_div/14624_div.html

(Smart Array P430 Controller)

http://h18000.www1.hp.com/products/quickspecs/14625_div/14625_div.html

(Smart Array P431 Controller)

http://h18000.www1.hp.com/products/quickspecs/14229_div/14229_div.html

(Smart Array P421 Controller)

http://h18000.www1.hp.com/products/quickspecs/14341_div/14341_div.html

(Smart Array P822 Controller)

Host Bus Adapter

HP H221 Host Bus Adapter

650931-B21

NOTE: This is a 2 x4 External Port HBA.

NOTE: This is only approved for the HP P2000 G3 SAS Modular Smart and tape drives.

HP H222 Host Bus Adapter

650926-B21

NOTE: A quantity of 1 HP Mini SAS Str to Left 33in Cable Assy (662899-B21) is required for proper connectivity.

NOTE: Please see the QuickSpecs for Technical Specifications and additional information:

http://h18004.www1.hp.com/products/quickspecs/14222_div/14222_div.html

(HBA 221)

http://h18004.www1.hp.com/products/quickspecs/14337_div/14337_div.html

(HBA 222)

SCSI HBA

HP SC11Xe Ultra320 Single Channel/ PCIe x4 SCSI Host Bus Adapter

412911-B21

NOTE: Please see the following QuickSpecs for additional information:

http://h18000.www1.hp.com/products/quickspecs/12566_div/12566_div.html

(SC11Xe HBA)

HP Cable Options

HP BladeSystem c-Class Small Form-Factor Pluggable 5m 10GbE Copper Cable	537963-B21
HP BladeSystem c-Class Small Form-Factor Pluggable .5m 10GbE Copper Cable	487649-B21
HP BladeSystem c-Class Small Form-Factor Pluggable 1m 10GbE Copper Cable	487652-B21
HP BladeSystem c-Class Small Form-Factor Pluggable 3m 10GbE Copper Cable	487655-B21
HP BladeSystem c-Class Small Form-Factor Pluggable 7m 10GbE Copper Cable	487658-B21
HP X244 10G XFP to SFP+ 1m Direct Attach Copper Cable	J9300A
HP 10G X244 XFP to SFP+ 3m Direct Attach Copper Cable	J9301A
HP 10G X244 XFP to SFP+ 5m Direct Attach Copper Cable	J9302A
HP X242 10G SFP+ to SFP+ 1m Direct Attach Copper Cable	J9281B
HP X242 10G SFP+ to SFP+ 3m Direct Attach Copper Cable	J9283B
HP X242 10G SFP+ to SFP+ 7m Direct Attach Copper Cable	J9285B
HP C-series SFP+ to SFP+ Active Copper 7.0m Direct Attach Cable	QK701A
HP C-series SFP+ to SFP+ Active Copper 10.0m Direct Attach Cable	QK702A
HP LC to LC Multi-mode OM3 2-Fiber 0.5m 1-Pack Fiber Optic Cable	AJ833A

Additional Options

HP LC to LC Multi-mode OM3 2-Fiber 1.0m 1-Pack Fiber Optic Cable	AJ834A
HP LC to LC Multi-mode OM3 2-Fiber 2.0m 1-Pack Fiber Optic Cable	AJ835A
HP LC to LC Multi-mode OM3 2-Fiber 5.0m 1-Pack Fiber Optic Cable	AJ836A
HP LC to LC Multi-mode OM3 2-Fiber 15.0m 1-Pack Fiber Optic Cable	AJ837A
HP LC to LC Multi-mode OM3 2-Fiber 30.0m 1-Pack Fiber Optic Cable	AJ838A
HP LC to LC Multi-mode OM3 2-Fiber 50.0m 1-Pack Fiber Optic Cable	AJ839A
HP B-series SFP+ to SFP+ Active Copper 1.0m Direct Attach Cable	AP818A
HP B-series SFP+ to SFP+ Active Copper 3.0m Direct Attach Cable	AP819A
HP B-series SFP+ to SFP+ Active Copper 5.0m Direct Attach Cable	AP820A

HP Power Cords

HP C13 - C14 WW 250V 10A Gray 0.7m Jumper Cord	AOK03A
HP C13 - C14 WW 250V 10A Gray 1.37m Jumper Cord	AOK04A
HP C13 - SEV 1011 CH 250V 10Amp 1.83m Power Cord	AF565A
HP C13 - DK-2.5A DK 250V 10Amp 1.83m Power Cord	AF566A
HP C13 - CEE-VII EU 250V 10Amp 1.83m Power Cord	AF568A
HP C13 - SI-32 IL 250V 10Amp 1.83m Power Cord	AF564A
HP C13 - NBR-14136 BR 250V 10Amp 1.83m Power Cord	AF591A
HP C13 - BS-1363A UK/HK/SG 250V 10Amp 1.83m Power Cord	AF570A
HP C13 - CEI-23-50 IT/CL 250V 10Amp 1.83m Power Cord	AF571A
HP C13 - C14 WW 250V 10Amp 2.0m Jumper Cord	AOK02A
HP C13 - IS-1293 IN 250V 10Amp HV 2.5m Power Cord	SG579A
HP C13 - AS3112-3 AU 250V 10Amp 2.5m Power Cord	AF569A
HP C13 - SABS-164 ZA 250V 10Amp 2.5m Power Cord	AF567A
HP C13 - JIS C8303 JP 100V 12Amp 2.0m Power Cord	AF572A
HP C13 - C14 WW 250V 10A Gray 3.0m Jumper Cord	AOK06A
HP C13 - Nema 6-15P US 250V 15A JP 3.6m Power Cord	AON33A
HP C13 - GB-1002 CN 250V 10Amp 1.83m Power Cord	AF557A
HP C13 - KSC- 8305 KR 250V 10Amp 1.83m Power Cord	AF560A
HP C13 - CNS-690 TW 110V 13Amp 1.83m Power Cord	AF561A
HP C13 - Nema 5-15P TH/PH 250V 10Amp 1.83m Power Cord	AF559A
HP C13 - Nema 5-15P US/CA 110V 10Amp 1.83m Power Cord	AF556A
HP C13 - IS-1293 IN 240V 6Amp LV 2.0m Power Cord	AF562A
HP C13 - IRAM -2073 AR 250V 10A 2.5m Power Cord	AF558A
HP C13 - C14 WW 250V 10Amp Flint Gray 2.0m Jumper Cord	AF573A

Additional Options

HP Tape Backup

NOTE: For the complete range of tape drives, autoloaders, libraries and media see: <http://www.hp.com/go/tape>. For hardware and software compatibility of HP tape backup products see: <http://www.hp.com/storage/SPOCK> and www.hp.com/go/ebs.
NOTE: For Internal drives to be connected to DL servers please make sure that you order rack mount kit as well.

HP StoreEver LTO-6 Ultrium 6250 Tape Drive in 1U Rack-mount Kit	COL99A
HP StoreEver 1/8 G2 LTO-6 Ultrium 6250 FC Tape Autoloader	COH19A

HP Tape Storage Systems **HP StoreEver MSL6480**

HP StoreEver MSL6480 Base Module	QU625A
----------------------------------	--------

NOTE: Please see the QuickSpecs for Technical Specifications and additional information:
http://h18000.www1.hp.com/products/quickspecs/14604_div/14604_div.html
(Worldwide)

HP Disk Backup

NOTE: For the complete range of RDX drives and media see: <http://www.hp.com/go/rdx>. For hardware and software compatibility of HP disk backup products see: <http://www.hp.com/storage/SPOCK>.

HP RDX Removable Disk Backup System

HP RDX320 USB3.0 External Disk Backup System	B7B63A
HP RDX500 USB3.0 Internal Disk Backup System	B7B64A
HP RDX500 USB3.0 External Disk Backup System	B7B66A
HP RDX1000 USB3.0 Internal Disk Backup System	B7B67A
HP RDX1000 USB3.0 External Disk Backup System	B7B69A

HP Rack-mount Kits

HP StoreEver 1U USB Rack-mount Kit	A8007B
------------------------------------	--------

NOTE: Please see the QuickSpecs for additional part numbers, Technical Specifications, and additional information:
http://h18000.www1.hp.com/products/quickspecs/13036_div/13036_div.html
(Worldwide)

Additional Options

HP Storage Options

Fibre Channel HBA

NOTE: The following is a list of all Fibre Channel Host Bus Adapters for Windows and Linux. For detailed compatibility information please see: <http://h18006.www1.hp.com/storage/saninfrastructure/hba.html>

Brocade Fibre Channel HBAs

HP 81B 8Gb 1-port PCIe Fibre Channel Host Bus Adapter	AP769B
HP 82B 8Gb 2-port PCIe Fibre Channel Host Bus Adapter	AP770B

Emulex Fibre Channel HBAs

HP 81E 8Gb 1-port PCIe Fibre Channel Host Bus Adapter	AJ762B
HP 82E 8Gb 2-port PCIe Fibre Channel Host Bus Adapter	AJ763B
HP SN1000E 16Gb 1-port PCIe Fibre Channel Host Bus Adapter	QR558A
HP SN1000E 16Gb 2-port PCIe Fibre Channel Host Bus Adapter	QR559A
HP StoreFabric SN1100E 16Gb Single Port Fibre Channel Host Bus Adapter	C8R38A
HP StoreFabric SN1100E 16Gb Dual Port Fibre Channel Host Bus Adapter	C8R39A

QLogic Fibre Channel HBAs

HP 81Q 8Gb 1-port PCIe Fibre Channel Host Bus Adapter	AK344A
HP 82Q 8Gb 2-port PCIe Fibre Channel Host Bus Adapter	AJ764A
HP StoreFabric SN1000Q 16GB 1-port PCIe Fibre Channel Host Bus Adapter	QW971A
HP StoreFabric SN1000Q 16GB 2-port PCIe Fibre Channel Host Bus Adapter	QW972A

Converged Network Adapter

HP CN1100E Dual Port Converged Network Adapter	BK835A
HP CN1000Q Dual Port Converged Network Adapter	BS668A
HP StoreFabric CN1100R Dual Port Converged Network Adapter	QW990A

HP Uninterruptible Power Systems HP Rack-mountable UPS

HP R1500 G3 Uninterruptible Power Supply (UPS)

HP R1.5kVA G3 1U INTL Uninterruptible Power System	AF471A
HP R1.5kVA G3 1U JP/TW Uninterruptible Power System	AF470A
HP R1.5kVA G3 1U NA Uninterruptible Power System	AF469A

NOTE: Please see the QuickSpecs for additional information: http://h18000.www1.hp.com/products/quickspecs/14059_div/14059_div.html (Worldwide)

HP R/T3000 G2 Uninterruptible Power System (UPS)

HP R/T3000 G2 2U Detachable Cord High Voltage INTL Uninterruptible Power System	AF468A
HP R/T3000 G2 2U L530 Low Voltage NA/JP Uninterruptible Power System	AF466A
HP R/T3000 G2 2U L620 High Voltage NA/JP Uninterruptible Power System	AF467A

NOTE: Please see the QuickSpecs for additional information: http://h18000.www1.hp.com/products/quickspecs/14058_div/14058_div.html (Worldwide)

R5000 Uninterruptible Power System (UPS)

HP R5KVA 3U IEC309-32A High Voltage INTL Uninterruptible Power System	AF461A
---	--------

Additional Options

HP R5KVA 3U L630 High Voltage NA/JP Uninterruptible Power System	AF460A
NOTE: Please see the QuickSpecs for additional information: http://h18000.www1.hp.com/products/quickspecs/14109_div/14109_div.html (Worldwide)	
R7000 Uninterruptible Power System (UPS)	
HP R7KVA 4U 50A High Voltage NA/JP Uninterruptible Power System	AF462A
HP R7KVA 4U IEC-32A High Voltage INTL Uninterruptible Power System	AF463A
NOTE: Please see the QuickSpecs for additional information: http://h18000.www1.hp.com/products/quickspecs/14110_div/14110_div.html (Worldwide)	
NOTE: For additional information on sizing your HP UPS, please reference: http://www.upssizer.com	
NOTE: Please see the UPS and PDU cable matrix's on the HP Power Protection and Management page. Under Power Cords, click on the "HP Power Cord Matrix" link. That link will list cable descriptions, requirements, and specifications for UPS and PDU units. Please see the following link: www.hp.com/products/powercords .	
NOTE: For additional information on HP Uninterruptible Power Systems please go to: www.hp.com/servers/rackups .	

HP Basic Power Distribution Units

HP 1.9kVA 120 Volt 12 Outlet NA/JP Basic Power Distribution Unit	H5M54A
HP 2.8kVA 120 Volt 18 Outlet NA/JP Basic Power Distribution Unit	H5M55A
HP 3.6kVA 200-240 Volt 12 Outlet WW Basic Power Distribution Unit	H5M56A
HP 3.6kVA 200-240 Volt 20 Outlet WW Basic Power Distribution Unit	H5M57A
HP 4.9kVA 208 Volt 20 Outlet NA/JP Basic Power Distribution Unit	H5M58A
HP 4.9kVA 208 Volt 30 Outlet NA/JP Basic Power Distribution Unit	H5M59A
HP 8.3kVA 208 Volt 36 Outlet NA/JP Basic Power Distribution Unit	H5M60A
HP 8.6kVA 208 Volt Three Phase 18 Outlet NA/JP Basic Power Distribution Unit	H5M61A
HP 8.6kVA 208 Volt Three Phase 30 Outlet NA/JP Basic Power Distribution Unit	H5M62A
HP 5.7kVA 208 Volt Three Phase 27 Outlet NA/JP Dual Voltage Basic Power Distribution Unit	H5M63A
HP 8.6kVA 208 Volt Three Phase 30 Outlet NA/JP Dual Voltage Basic Power Distribution Unit	H5M64A
HP 11kVA 400 Volt Three Phase 42 Outlet NA Basic Power Distribution Unit	H5M67A
HP 7.3kVA 230 Volt 20 Outlet INTL Basic Power Distribution Unit	H5M68A
HP 7.3kVA 230 Volt 30 Outlet INTL Basic Power Distribution Unit	H5M70A
HP 11kVA 230 Volt 36 Outlet INTL Basic Power Distribution Unit	H5M71A
HP 11kVA 400 Volt Three Phase 30 Outlet INTL Basic Power Distribution Unit	H5M72A
HP 11kVA 400 Volt Three Phase 42 Outlet INTL Basic Power Distribution Unit	H5M73A
HP Hardwired 200-240 Volt 36 Outlet WW Basic Power Distribution Unit	H5M75A
HP 13.2kVA 480 Volt Three Phase 15 Outlet NA Basic Power Distribution Unit	H3X07A
HP 19.9kVA 480 Volt Three Phase 30 Outlet NA Basic Power Distribution Unit	H3X08A
HP 277 Volt options for H3X07A and H3X08A	
HP 800VA - 277V Input / 230V Output NA Rack Mount Transformer	H3X09A

Additional Options

NOTE: Please see the QuickSpecs for Technical Specifications and additional information:

http://h18000.www1.hp.com/products/quickspecs/14557_div/14557_div.html
(Worldwide)

NOTE: Additional HP Power Distribution Units are available. For a complete list of all HP PDUs and additional information please visit: www.hp.com/go/rackandpower.

HP Remote Monitoring Power Distribution Units	HP 2.8kVA 120 Volt 12 Outlet NA/JP Monitored Power Distribution Unit	D9N43A
	HP 4.9kVA 208 Volt 12 Outlet NA/JP Monitored Power Distribution Unit	D9N44A
	HP 3.6kVA 200-240 Volt 16 Outlet WW Monitored Power Distribution Unit	D9N45A
	HP 3.6kVA 200-240 Volt 12 Outlet WW Monitored Power Distribution Unit	D9N46A
	HP 4.9kVA 208 Volt 24 Outlet NA/JP Monitored Power Distribution Unit	D9N47A
	HP 7.3kVA 230 Volt 24 Outlet INTL Monitored Power Distribution Unit	D9N48A
	HP 8.3kVA 208 Volt 33 Outlet NA Monitored Power Distribution Unit	D9N49A
	HP 7.3kVA 230 Volt 36 Outlet INTL Monitored Power Distribution Unit	D9N50A
	HP 8.6kVA 208 Volt Three Phase 21 Outlet NA/JP Monitored Power Distribution Unit	D9N51A
	HP 5.7kVA 208 Volt Three Phase 21 Outlet NA/JP Dual Voltage Monitored Power Distribution Unit	D9N52A
	HP 8.6kVA 208 Volt Three Phase 24 Outlet NA/JP Dual Voltage Monitored Power Distribution Unit	D9N53A
	HP 17.3kVA 208 Volt Three Phase 27 Outlet NA/JP Monitored Power Distribution Unit	D9N54A
	HP 11kVA 400 Volt Three Phase 21 Outlet INTL Monitored Power Distribution Unit	D9N55A
	HP 22kVA 400 Volt Three Phase 33 Outlet INTL Monitored Power Distribution Unit	D9N56A
	HP 11kVA 400 Volt Three Phase 33 Outlet INTL Monitored Power Distribution Unit	D9N57A
	HP 14.4kVA 208 Volt Three Phase 24 Outlet NA Monitored Power Distribution Unit	D9N58A
	HP 17.3kVA 208 Volt Three Phase 24 Outlet NA/JP Monitored Power Distribution Unit	D9N59A
	HP 22kVA 400 Volt Three Phase 24 Outlet INTL Monitored Power Distribution Unit	D9N60A
	HP 16.6kVA 400 Volt Three Phase 33 Outlet NA Monitored Power Distribution Unit	D9N61A
	HP 16.6kVA 400 Volt Three Phase 24 Outlet NA Monitored Power Distribution Unit	D9N62A
HP 19.9kVA 480 Volt Three Phase 30 Outlet NA Monitored Power Distribution Unit	D9N63A	
HP Environmental Sensor for Remote Monitored PDUs		
	HP Environmental Sensor for Remote Monitored PDUs	E2D53A
NOTE: Please see the QuickSpecs for additional information:		
http://h18000.www1.hp.com/products/quickspecs/14669_div/14669_div.html (Worldwide)		

HP Intelligent Power Distribution Units (iPDU)	iPDU Core Units	
	HP 4.9kVA 24A Single Phase NA/JP Core Intelligent Modular Power Distribution Unit	AF520A
	HP 8.3kVA 40A Single Phase NA/JP Core Intelligent Modular Power Distribution Unit	AF521A
	HP 8.6kVA 24A Three Phase NA/JP Core Intelligent Modular Power Distribution Unit	AF522A
	HP 14.4kVA 40A Three Phase NA/JP Intelligent Modular Power Distribution Unit	AF533A
	HP 17.3kVA 48A Three Phase NA/JP Core Intelligent Modular Power Distribution Unit	AF523A

Additional Options

HP 17.3kVA 24A 415V Three Phase L22-30 NA Core Intelligent Power Distribution Unit	AF902A
HP 7.3kVA 32A Single Phase INTL Core Intelligent Modular Power Distribution Unit	AF525A
HP 11kVA 16A Three Phase INTL Core Intelligent Modular Power Distribution Unit	AF526A
HP 22kVA 32A Three Phase INTL Core Intelligent Modular Power Distribution Unit	AF527A
HP 17.3kVA 48A 208V Three Phase 12 Outlet Core NA/JP Intelligent Power Distribution Unit	AF535A
HP 17.3kVA 24A 415V Three Phase 12 Outlet Core NA/JP Intelligent Power Distribution Unit	AF537A
HP 22kVA 32A 400V Three Phase 12 Outlet Core INTL Intelligent Power Distribution Unit	AF538A
iPDU Kits with Standard Extension Bars	
HP 4.9kVA 24A Single Phase NA/JP Intelligent Modular Power Distribution Kit	AF531A
HP 8.6kVA 24A Three Phase NA/JP Intelligent Modular Power Distribution Kit	AF532A
HP 7.3kVA 32A Single Phase INTL Intelligent Modular Power Distribution Kit	AF534A
iPDU Extension Bars	
HP 5x13 Intelligent PDU Extension Bar G2 Kit	AF547A
HP 5x13 Outlets Power and UID LEDs Pair Standard Extension Bar	AF528A
NOTE: Please see the QuickSpecs for Technical Specifications and additional information: http://h18000.www1.hp.com/products/quickspecs/13650_div/13650_div.html (Worldwide)	
NOTE: Additional HP Power Distribution Units are available. For a complete list of all HP PDUs and additional information please visit: www.hp.com/go/rackandpower .	

HP Rack Series

HP Intelligent Series Rack

HP 636 1075mm Pallet Intelligent Series Rack	BW895A
HP 636 1075mm Shock Intelligent Series Rack	BW896A
HP 642 1075mm Pallet Intelligent Series Rack	BW903A
HP 642 1075mm Shock Intelligent Series Rack	BW904A
HP 647 1075mm Pallet Intelligent Series Rack	BW911A
HP 647 1075mm Shock Intelligent Series Rack	BW912A

NOTE: Please see the QuickSpecs for Technical Specifications such as height, width, depth, weight, and color:

http://h18000.www1.hp.com/products/quickspecs/14223_div/14223_div.html
(Worldwide)

NOTE: For additional information regarding Rack Cabinets, please see the following URL: <http://www.hp.com/go/rackandpower>.

HP Rack Options

HP Location Discovery Services

HP 36U Location Discovery Kit	BW945A
HP 42U Location Discovery Kit	BW946A
HP 47U Location Discovery Kit	BW947A

Additional Options

NOTE: Please see the QuickSpecs for Technical Specifications and additional information:

http://h18000.www1.hp.com/products/quickspecs/14429_div/14429_div.html
(Worldwide)

HP USB Keyboard and Mouse

HP USB BFR with PVC Free US Keyboard/Mouse Kit	631341-B21
HP USB BFR with PVC Free UK Keyboard/Mouse Kit	631344-B21
HP USB BFR with PVC Free FR Keyboard/Mouse Kit	631346-B21
HP USB BFR with PVC Free ES Keyboard/Mouse Kit	631348-B21
HP USB BFR with PVC Free DE Keyboard/Mouse Kit	631358-B21
HP USB BFR with PVC Free JP Keyboard/Mouse Kit	631360-B21
HP USB BFR with PVC Free IT Keyboard/Mouse Kit	631362-B21
HP USB BFR with PVC Free CN Keyboard/Mouse Kit	631364-B21
HP USB BFR with PVC Free AE Keyboard/Mouse Kit	638212-B21
HP USB BFR with PVC Free RU Keyboard/Mouse Kit	638214-B21
HP USB BFR with PVC Free IN Keyboard/Mouse Kit	672097-D63
HP USB BFR with PVC Free AP-Intl Keyboard/Mouse Kit	672097-373
HP USB BFR with PVC Free Intl Keyboard/Mouse Kit	672097-B33
HP USB BFR with PVC Free PT Keyboard/Mouse Kit	672097-133
HP USB BFR with PVC Free TR Keyboard/Mouse Kit	672097-143
HP USB BFR with PVC Free CZ Keyboard/Mouse Kit	672097-223
HP USB BFR with PVC Free FI Keyboard/Mouse Kit	672097-353
HP USB BFR with PVC Free SE Keyboard/Mouse Kit	672097-103
HP USB BFR with PVC Free CH Keyboard/Mouse Kit	672097-113
HP USB BFR with PVC Free KR Keyboard/Mouse Kit	672097-KD3

NOTE: Please see the QuickSpecs for Technical Specifications and additional information:

http://h18000.www1.hp.com/products/quickspecs/13972_div/13972_div.html
(Worldwide)

HP TFT7600 G2 KVM Console Rackmount Keyboard Monitor

HP TFT7600 G2 KVM Console Rackmount Keyboard US Monitor	AZ870A
HP TFT7600 G2 KVM Console Rackmount Keyboard UK Monitor	AZ871A
HP TFT7600 G2 KVM Console Rackmount Keyboard DE Monitor	AZ872A
HP TFT7600 G2 KVM Console Rackmount Keyboard FR Monitor	AZ873A
HP TFT7600 G2 KVM Console Rackmount Keyboard IT Monitor	AZ874A
HP TFT7600 G2 KVM Console Rackmount Keyboard ES Monitor	AZ875A
HP TFT7600 G2 KVM Console Rackmount Keyboard DK Monitor	AZ876A
HP TFT7600 G2 KVM Console Rackmount Keyboard NO Monitor	AZ877A
HP TFT7600 G2 KVM Console Rackmount Keyboard SE/FI Monitor	AZ878A
HP TFT7600 G2 KVM Console Rackmount Keyboard CH Monitor	AZ879A
HP TFT7600 G2 KVM Console Rackmount Keyboard PT Monitor	AZ880A
HP TFT7600 G2 KVM Console Rackmount Keyboard BE Monitor	AZ881A

Additional Options

HP TFT7600 G2 KVM Console Rackmount Keyboard JP Monitor	AZ882A
HP TFT7600 G2 KVM Console Rackmount Keyboard RU Monitor	AZ883A
HP TFT7600 G2 KVM Console Rackmount Keyboard Intl Monitor	AZ884A
HP TFT7600 G2 KVM Console Rackmount Keyboard US TAA Monitor	AZ885A

NOTE: Please see the QuickSpecs for Technical Specifications and additional information:

http://h18000.www1.hp.com/products/quickspecs/13731_div/13731_div.html
(Worldwide)

HP Server Console Switches

HP Server Console 0x2x8 Port Analog Switch	AF616A
HP Server Console 0x2x16 Port Analog Switch	AF617A
HP TAA 0x2x16xKVM Server Console G2 Switch	AF626A

NOTE: Please see the QuickSpecs for Technical Specifications and additional information:

http://h18000.www1.hp.com/products/quickspecs/11834_div/11834_div.html
(Worldwide)

HP Server Console Switch G2 with Virtual Media & CAC

HP 0x2x16 KVM Server Console Switch G2 with Virtual Media CAC Software	AF618A
HP 0x2x32 KVM Server Console Switch G2 with Virtual Media CAC Software	AF619A
HP KVM CAT5 1-pack USB Interface Adapter	336047-B21

NOTE: Please see the QuickSpecs for Technical Specifications and additional information:

http://h18000.www1.hp.com/products/quickspecs/13475_div/13475_div.html
(Worldwide)

HP 1x4 USB/PS2 KVM Console Switch

HP 1x4 USB/PS2 KVM Console Switch	AF611A
HP 1x1Ex8 KVM IP Console Switch G2 with Virtual Media CAC Software	AF620A
HP 2x1Ex16 KVM IP Console Switch G2 with Virtual Media CAC Software	AF621A
HP 4x1Ex32 KVM IP Console Switch G2 with Virtual Media CAC Software	AF622A

NOTE: Please see the QuickSpecs for Technical Specifications and additional information:

http://h18000.www1.hp.com/products/quickspecs/13474_div/13474_div.html
(Worldwide)

Rail Kits

NOTE: Gen8 rail kits have changed significantly from prior generation rail kits. Please take a moment to review the installation documentation that comes with the server to help you with the installation of your Gen8 server.

NOTE: Rail kits are optional for Gen8 and are no longer included standard with the server. Customers have the option to purchase their server without a rail kit.

Caution: HP recommends that a minimum of two people are required for all Rack Server installations. Please refer to your installation instructions for proper tools and number of people to use for any installation.

HP 1U Small Form Factor Easy Install Rail Kit	734807-B21
---	------------

NOTE: For SFF models.

Additional Options

NOTE: Kit contains full extension rails which do allow for in rack serviceability. After the rails are installed the server is aligned with the rails and slid into the rack. The HP 1U Easy Install Cable Management Arm is optional.

Caution: HP recommends that a minimum of two people are required for all Rack Server installations. Please refer to your installation instructions for proper tools and number of people to use for any installation.

HP 1U Large Form Factor Easy Install Rail Kit

734809-B21

NOTE: For LFF models.

NOTE: Kit contains full extension rails which do allow for in rack serviceability. After the rails are installed the server is aligned with the rails and slid into the rack. The HP 1U Easy Install Cable Management Arm is optional.

Caution: HP recommends that a minimum of two people are required for all Rack Server installations. Please refer to your installation instructions for proper tools and number of people to use for any installation.

HP 1U Cable Management Arm for Easy Install Rail Kit

734811-B21

NOTE: Supports Easy Install rail kits only

HP 1U Small Form Factor Ball Bearing Gen8 Rail Kit

663201-B21

NOTE: For SFF models.

NOTE: HP 1U Small Form Factor Ball Bearing Gen8 Rail Kit ships standard with some BTO Preconfigured Channel Models.

HP 1U Cable Management Arm for Ball Bearing Gen8 Rail Kit

663203-B21

NOTE: The HP 1U Gen8 Cable Management Arm is optional for the SFF and LFF Ball Bearing Rail Kits and is not available for use with the Friction Rail Kit.

HP 1U Large Form Factor Ball Bearing Gen8 Rail Kit

663202-B21

NOTE: For LFF models.

HP USB and SD Options

HP Flash Media Kits for USB Drives

HP 2GB USB Flash Media Drive Key Kit

608447-B21

NOTE: HP qualified blank USB key for use with HP ProLiant servers that support the VMware virtualization environment and other HP value-add software. HP recommends this industry standard USB flash device for use with VMware ESXi. USB device must be installed in the internal slot of the ProLiant server for use with VMware ESXi. Refer to HP VMware Getting Started Guide for installation instructions.

HP Enterprise Mainstream Flash Media Kits for Memory Cards

HP 8GB SD Enterprise Mainstream Flash Media Kit

726113-B21

HP 32GB SD Enterprise Mainstream Flash Media Kit

700136-B21

NOTE: Please see the QuickSpecs for Technical Specifications and additional information:

http://h18000.www1.hp.com/products/quickspecs/13971_div/13971_div.html

Additional Options

HP Care Pack Services

Proactive Care

NOTE: Collaborative Support plus Proactive services delivered by the onshore, local language Advanced Solution Center (ASC), end-to-end case ownership from a Technical Solution Specialists and Technical Account Manager who remotely delivers firmware/software revision management, proactive scans and incident trend reports. Recommended for customers running a virtualized infrastructure and/or customers who desire an enhanced call support experience.

HP 3 year 4 hour 24x7 ProLiant DL36x(p) Proactive Care Service	U2Z86E
HP 3 year 4 hour 24x7 with Defective Media Retention ProLiant DL36x(p) Proactive Care Service	U2Z89E
HP 3 year 6 hour Call To Repair 24x7 ProLiant DL36x(p) Proactive Care Service	U2Z92E
HP 3 year 6 hour Call To Repair 24x7w/Defective Media Retention ProLiant DL36x(p) Proactive Care SVC	U2Z95E
HP 3 year 4 hour 24x7 ProLiant DL36x(p) with Insight Control Proactive Care Service	U3N59E
HP 3 year 4hr 24x7 with Defective Media Retention DL36x(p) with Insight Control Proactive Care SVC	U3N62E
HP 3 year 6 hour Call To Repair 24x7 ProLiant DL36x(p) with Insight Control Proactive Care Service	U3N65E
HP 3yr 6hrCallToRepair 24x7w/Defective Media Retention DL36x(p) w/Insight Control Proactive Care SVC	U3N68E

Proactive Care Personalized Support Option

NOTE: To add an onsite Account Support Manager (ASM) to Proactive Care. ASM is an assigned resource who delivers support planning and brings technical expertise and best practices advices for the customer's environment.

HP 3 year ISS ProactiveCare Personalized Support	U6W98E
--	--------

Installation Services

NOTE: Reduce the time required to get your system up and running and help minimize disruptions to your business.

HP Install ProLiant DL36x(p) Service	U4506E
HP Startup ProLiant DL36x(p) Service	U4507E
HP Installation of ProLiant Add On/In Options Service	UH745E
HP Install ProLiant DL38x(p) Service	U4554E
HP Startup ProLiant DL38x(p) Service	U4555E
HP Installation and Startup for Insight Control Server Deployment - previously Rapid Deployment Pack	U5683E

NOTE: For more information, customer/resellers can contact:
<http://www.hp.com/services/carepack>.

Memory

HP SmartMemory

New HP SmartMemory now provides additional protection for your servers. With HP Authentication it can verify that you have true HP Qualified Memory in your HP ProLiant Gen8 server. With HP SmartMemory your new HP ProLiant server can take advantage of additional Gen8 enhancements in performance, durability and future manageability support through HP Active Health System

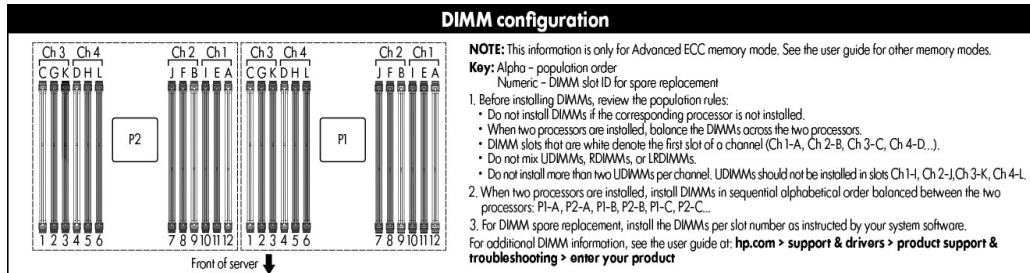
For detailed memory configuration rules and guidelines, please use the Online DDR3 Memory Configuration Tool:

www.hp.com/go/ddr3memory-configurator

Memory Subsystem Architecture

Each Intel® Xeon® E5-2600 or E5-2600 v2 family processor socket contains four memory channels that support three DIMMs each for a total of twelve (12) DIMMs per installed processor or a grand total of Twenty Four (24) DIMMs for the server. Up to 32GB capacity DIMMs are supported for 768GB of max memory (for Best Speed (1600MHz) run 2 DIMMs per channel or 16 DIMM slots x 16GB per DIMM = 256GB).

Memory population guidelines



General Memory Population Rules and Guidelines:

- White DIMM slots denote the first slot of a channel. For 1 DPC (DIMM per channel) populate white slots only.
- A minimum of one DIMM is required per server.
- Install DIMMs only if the corresponding processor is installed.
- If only one processor is installed in a two processor system, only half of the DIMM slots are available.
- To maximize performance, it is recommended to balance the total memory capacity between all installed processors and to load the channels similarly whenever possible.
- When two processors are installed, balance the DIMMs across the two processors.
- Populate DIMMs from heaviest load (quad-rank) to lightest load (single-rank) within a channel. Heaviest load (DIMM with most ranks) within a channel goes furthest from the processor.
- RDIMMs operating at either 1.35V or 1.5V may be mixed in any order, but the system will power them at the higher voltage.
- Do not mix UDIMMs, RDIMMs or LRDIMMs.
- LRDIMMs are supported up to 3 DIMMs per channel.
- Using the HP RBSU, 1.35V DIMMs can be changed to operate at 1.5V.
- DIMMs of different speeds may be mixed in any order; the server will select a common optimal speed.
- The maximum memory speed is a function of the memory type, memory configuration, and processor model.
- The maximum memory capacity is a function of the memory type and number of installed processors.
- HP memory from previous generation servers is not compatible with the DL360p Gen8 Server. Certain HP SmartMemory features such as memory authentication and enhanced performance may not be supported.
- To realize the performance memory capabilities listed in this document, HP SmartMemory is required. For additional information, please see the HP SmartMemory QuickSpecs at: http://h18000.www1.hp.com/products/quickspecs/14225_div/14225_div.html (Worldwide)
- For memory population rules and additional memory guidelines, please see the DL360p Gen8 user guide at

Memory

<http://www.hp.com/support>

- There are four (4) Memory channels per processor; eight (8) channels per 2 processor server .
- There are three (3) DIMM slots for each memory channel; twenty four (24) total slots for 2 processor server .
- Memory channels 1 and 3 consists of the three (3) DIMMs that are furthest from the processor .
- Memory channel 2 and 4 consists of the three (3) DIMMs that are closest to the processor.

Supported Memory Bandwidth for DL360p Gen8 with Intel® Xeon® E5-2600 v2 Series Processor Family															
DIMM Type	Register DIMM								Load Reduced (LRDIMMs)	Unbuffered DIMM					
DIMM Rank	Single Rank (1R)		Dual Rank (2R)		Single Rank (1R)	Single Rank (1R)	Dual Rank (2R)	Dual Rank (2R)	Quad Rank (4R)	Single Rank (1R)		Dual Rank (2R)			
DIMM Capacity	4GB	4GB	8GB	8GB	8GB	8GB	16GB	16GB	32GB	2GB	2GB	4GB	4GB	8GB	8GB
DIMM Native Speed (MT/s) - >	1600	1866	1600	1866	1600	1866	1600	1866	1866	1600	1866	1600	1866	1600	1866
Voltage	LV	Std	LV	Std	LV	Std	LV	Std	Std	LV	Std	LV	Std	LV	Std
SLOTS THAT CAN BE POPULATED															
12 slot servers	12	12	12	12	12	12	12	12	12	12	12	12	12	12	12
16 slot servers	16	16	16	16	16	16	16	16	16	16	16	16	16	16	16
24 slot servers	24	24	24	24	24	24	24	24	24	16	16	16	16	16	16
MAXIMUM CAPACITY (GB)*															
12 slot servers	48	48	96	96	96	96	96	192	384	24	24	48	48	96	96
16 slot servers	64	64	128	128	128	128	256	256	512	64	64	64	64	128	128
24 slot servers	96	96	192	192	192	192	384	384	768	32	32	64	64	128	128
POPULATED DIMM SPEED (MHz)															
1 DIMM Per Channel	1600	1866	1600	1866	1600	1866	1600	1866	1866	1600	1866	1600	1866	1600	1866
2 DIMM Per Channel (2DPC)	1600	1866	1600	1866	1600	1866	1600	1866	1866	1600	1866	1600	1866	1600	1866

Memory

3 DIMM Per Channel	800	1066	800	1066	800	1066	800	1066	1333	n/a	n/a	n/a	n/a	n/a	n/a
--------------------	-----	------	-----	------	-----	------	-----	------	------	-----	-----	-----	-----	-----	-----

Memory speed is a function of the processor QPI bus speed.

* Maximum capacity will vary based on individual server platform qualification schedule

For HP SmartMemory, UDIMM is supported at 2DPC@DDR3-1866. Third party memory may only support up to 2DPC@DDR3-1333 or 1600.

All configurations on 64 slot server run at DDR3-1066.

Memory Speed by E5-2600 v2 Processor Model

Processor Models	Supported Memory Speeds
E5-2697 v2, E5-2695 v2, E5-2690 v2, E5-2680 v2, E5-2670 v2, E5-2667 v2, E5-2660 v2, E5-2650 v2, E5-2643 v2, E5-2637 v2	1866/1600MHz
E5-2697 v2, E5-2695 v2, E5-2690 v2, E5-2680 v2, E5-2670 v2, E5-2667 v2, E5-2660 v2, E5-2650 v2, E5-2643 v2, E5-2637 v2	1600MHz
E5-2609 v2, E5-2603 v2	1333MHz

Supported Memory Bandwidth for DL360p Gen8 with Intel® Xeon® E5-2600 v2 Series Processor Family

DIMM Type	Registered DIMMS (RDIMMs)							Load Reduced (LRDIMMs)	Unbuffered with ECC DIMMs (UDIMMs)					
	Single Rank (1R)			Dual Rank (2R)					Quad Rank (4R)	Single Rank (1R)		Dual Rank (2R)		
DIMM Rank	Single Rank (1R)			Dual Rank (2R)				Quad Rank (4R)	Single Rank (1R)		Dual Rank (2R)			
DIMM Capacity	4GB	4GB	8GB	8GB	8GB	8GB	16GB	32GB	2GB	2GB	4GB	4GB	8GB	8GB
DIMM Native Speed (MT/s) - >	1333	1600	1600	1333	1600	1333	1600	1333	1333	1600	1333	1600	1333	1600
Voltage	LV	Std	Std	LV	Std	LV	Std	LV	LV	Std	LV	Std	LV	Std

SLOTS THAT CAN BE POPULATED

24 slot servers	24	24	24	24	24	24	24	24	16	16	16	16	16	16
-----------------	----	----	----	----	----	----	----	----	----	----	----	----	----	----

MAXIMUM CAPACITY (GB)*

12 slot servers	96	96	192	192	192	384	384	768	32	32	64	64	128	128
-----------------	----	----	-----	-----	-----	-----	-----	-----	----	----	----	----	-----	-----

POPULATED DIMM SPEED (MHz)

1 DIMM Per Channel	1333	1600	1600	1600	1600	1333	1600	1333***	1333	1600	1333	1600	1333	1600
--------------------	------	------	------	------	------	------	------	---------	------	------	------	------	------	------

Memory

2 DIMM Per Channel (2DPC)	1333	1600	1600	1600	1600	1333	1600	1333 ***	1333 ****	1600	1333 ****	1600	1333 ****	1600
3 DIMM Per Channel	1066 **	1333 ##	1333 ##	1333 ##	1333 ##	1066 **	1333 ##	1066	n/a	n/a	n/a	n/a	n/a	n/a

NOTE: Memory speed is a function of the processor QPI bus speed. To realize the performance memory capabilities listed above HP SmartMemory is required.

* Maximum capacity will vary based on individual server platform qualification schedule

** For HP SmartMemory RDIMM supports up to 3DPC@1066 at 1.35V. Third party memory may only support up to 3DPC@1066 at 1.5V.

*** LRDIMMs enable 3 DIMMs per channel. HP SmartMemory will support up to 3DPC@1066 at 1.35V. Third party memory may only support 3DPC @1066 at 1.5V.

**** For HP SmartMemory, UDIMM is supported at 2DPC@1333 at 1.35V. Third party memory may only support up to 2DPC@1066 at 1.5V.

RBSU setting required

Memory Speed by E5-2600 v2 Processor Model

Processor Models	Supported Memory Speeds
E5-2697 v2, E5-2695 v2, E5-2690 v2, E5-2680 v2, E5-2670 v2, E5-2667 v2, E5-2660 v2, E5-2650 v2, E5-2643 v2, E5-2637 v2	1866/1600MHz
E5-2640 v2, E5-2630 v2, E5-2620 v2, E5-2650L v2, E5-2630L v2	1600MHz
E5-2609 v2, E5-2603 v2	1333MHz

Memory Speed by E5-2600 Processor Model

Processor Models	Supported Memory Speeds
E5-2690, E5-2680, E5-2670, E5-2667, E5-2665, E5-2660, E5-2650, E5-2650L, E5-2643, E5-2637	1600/1333/1066MHz
E5-2640, E5-2630, E5-2630L, E5-2620	1333/1066MHz
E5-2609, E5-2603	1066MHz

Standard and Maximum Memory Capacity (Pre-configured E5-2600 v2 Models)

Pre Configured Models	Standard Memory	Maximum Memory Plus Optional Memory	Standard Memory Replaced with Optional Memory
Intel Xeon E5-2650 v2	32GB (2x16GB)	384GB (22x16GB, 2x16GB)	768GB (24 x 32GB)
Intel Xeon E5-2640 v2, E5-2630 v2	16GB (2x 8GB)	368GB (22x16GB, 2x8GB)	768GB (24 x 32GB)
Intel Xeon E5-2603 v2	8GB (1x 8GB)	376GB (23x16GB, 1x8GB)	768GB (24 x 32GB)

Standard and Maximum Memory Capacity (Pre-configured E5-2600 Models)

Pre Configured Models	Standard Memory	Maximum Memory Plus Optional Memory	Standard Memory Replaced with Optional Memory
Intel Xeon E5-2690, E5-2650	32GB (4x 8GB)	352GB (20x16GB, 4x8GB)	768GB (24 x 32GB)
Intel Xeon E5-2640, E5-2630	16GB (4x 4GB)	336GB (20x16GB, 4x4GB)	768GB (24 x 32GB)
Intel Xeon E5-2603	4GB (1x 4GB)	372GB (23x16GB, 1x4GB)	768GB (24 x 32GB)

Memory

DIMM slot and configuration diagrams

Basic memory slot & population diagram

- Population order; looking from the front of your server CPU#1 is on right side and CPU#2 is on the left. The CPUs sit in the middle of the memory they manage and are populated from the right and left to the center for best performance. See the population order by alphabetic and numeric progression below.

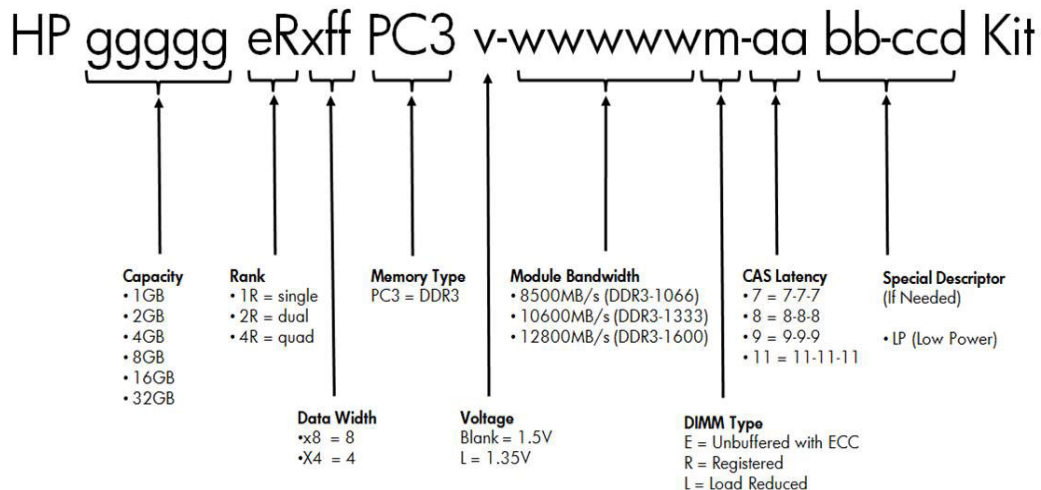
CPU #1 IS PROCESSOR ON RIGHT - LOOKING FROM FRONT OF SERVER													
slot #	Channel 3			Channel 4			CPU #1	Channel 2			Channel 1		
	1	2	3	4	5	6		7	8	9	10	11	12
population order	C	G	K	D	H	L		J	F	B	I	E	A
In Order	3	7	11	4	8	12	-	10	6	2	9	5	1

CPU #2 IS PROCESSOR ON LEFT - LOOKING FROM FRONT OF SERVER													
slot #	Channel 3			Channel 4			CPU #2	Channel 2			Channel 1		
	1	2	3	4	5	6		7	8	9	10	11	12
population order	C	G	K	D	H	L		J	F	B	I	E	A
In Order	3	7	11	4	8	12	-	10	6	2	9	5	1

NOTE: Capacity references are rounded to the common Gigabyte values.

- 1GB = 1024MB
- 2GB = 2048MB
- 4GB = 4096MB
- 8GB = 8192MB
- 16GB = 16384MB
- 32GB = 32768MB

DDR3 memory options part number decoder



Following are memory options available from HP:

HP Memory

NOTE: HP memory from previous generation servers are not qualified or warranted with this HP ProLiant Server. HP SmartMemory is required to realize the memory performance improvements and enhanced functionality listed in this document for Gen8. For additional information, please see the HP SmartMemory QuickSpecs at:

Memory

http://h18000.www1.hp.com/products/quickspecs/14225_div/14225_div.html

NOTE: LRDIMM, RDIMM, and UDIMM, and HDIMMs are all distinct memory technologies and cannot be mixed within a server. The majority of ProLiant Gen8 servers support LRDIMM, RDIMM and UDIMMs.

Registered DIMMs (RDIMMs)

NOTE: The following memory is supported by the E5-2600 v2 series Processors.

HP 4GB (1x4GB) Single Rank x4 PC3L-12800R (DDR3-1600) Registered CAS-11 Low Voltage Memory Kit	713981-B21
HP 4GB (1x4GB) Single Rank x4 PC3-14900R (DDR3-1866) Registered CAS-13 Memory Kit	708637-B21
HP 8GB (1x8GB) Dual Rank x4 PC3L-12800R (DDR3-1600) Registered CAS-11 Low Voltage Memory Kit	713983-B21
HP 8GB (1x8GB) Single Rank x4 PC3L-12800R (DDR3-1600) Registered CAS-11 Low Voltage Memory Kit	731765-B21
HP 8GB (1x8GB) Dual Rank x4 PC3-14900R (DDR3-1866) Registered CAS-13 Memory Kit	708639-B21
HP 8GB (1x8GB) Single Rank x4 PC3-14900R (DDR3-1866) Registered CAS-13 Memory Kit	731761-B21
HP 16GB (1x16GB) Dual Rank x4 PC3L-12800R (DDR3-1600) Registered CAS-11 Low Voltage Memory Kit	713985-B21
HP 16GB (1x16GB) Dual Rank x4 PC3-14900R (DDR3-1866) Registered CAS-13 Memory Kit	708641-B21

Registered DIMMs (RDIMMs)

NOTE: The following memory is supported by the E5-2600 series Processors.

HP 4GB (1x4GB) Single Rank x4 PC3L-10600R (DDR3-1333) Registered CAS-9 Low Voltage Memory Kit	647893-B21
HP 4GB (1x4GB) Single Rank x4 PC3-12800R (DDR3-1600) Registered CAS-11 Memory Kit	647895-B21
HP 8GB (1x8GB) Dual Rank x4 PC3L-10600R (DDR3-1333) Registered CAS-9 Low Voltage Memory Kit	647897-B21
HP 8GB (1x8GB) Single Rank x4 PC3-12800R (DDR3-1600) Registered CAS-11 Memory Kit	647899-B21
HP 8GB (1x8GB) Dual Rank x4 PC3-12800R (DDR3-1600) Registered CAS-11 Memory Kit	690802-B21
HP 16GB (1x16GB) Dual Rank x4 PC3L-10600R (DDR3-1333) Registered CAS-9 Low Voltage Memory Kit	647901-B21
HP 16GB (1x16GB) Dual Rank x4 PC3-12800R (DDR3-1600) Registered CAS-11 Memory Kit	672631-B21

Unbuffered with ECC DIMMs (UDIMMs)

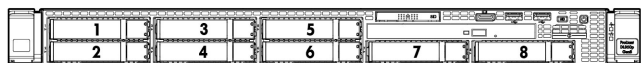
NOTE: The following memory is supported by the E5-2600 v2 series Processors.

HP 2GB (1x2GB) Single Rank x8 PC3L-12800E (DDR3-1600) Unbuffered CAS-11 Low Voltage Memory Kit	713975-B21
HP 2GB (1x2GB) Single Rank x8 PC3-14900E (DDR3-1866) Unbuffered CAS-13 Memory Kit	708631-B21
HP 4GB (1x4GB) Dual Rank x8 PC3L-12800E (DDR3-1600) Unbuffered CAS-11 Low Voltage Memory Kit	713977-B21

Memory

HP 4GB (1x4GB) Dual Rank x8 PC3-14900E (DDR3-1866) Unbuffered CAS-13 Memory Kit	708633-B21
HP 8GB (1x8GB) Dual Rank x8 PC3L-12800E (DDR3-1600) Unbuffered CAS-11 Low Voltage Memory Kit	713979-B21
HP 8GB (1x8GB) Dual Rank x8 PC3-14900E (DDR3-1866) Unbuffered CAS-13 Memory Kit	708635-B21
Unbuffered with ECC DIMMs (UDIMMs)	
NOTE: The following memory is supported by the E5-2600 series Processors.	
HP 2GB (1x2GB) Single Rank x8 PC3-12800E (DDR3-1600) Unbuffered CAS-11 Memory Kit	669320-B21
HP 2GB (1x2GB) Single Rank x8 PC3L-10600E (DDR3-1333) Unbuffered CAS-9 Low Voltage Memory Kit	647905-B21
HP 4GB (1x4GB) Dual Rank x8 PC3-12800E (DDR3-1600) Unbuffered CAS-11 Memory Kit	669322-B21
HP 4GB (1x4GB) Dual Rank x8 PC3L-10600E (DDR3-1333) Unbuffered CAS-9 Low Voltage Memory Kit	647907-B21
HP 8GB (1x8GB) Dual Rank x8 PC3-12800E (DDR3-1600) Unbuffered CAS-11 Memory Kit	669324-B21
HP 8GB (1x8GB) Dual Rank x8 PC3L-10600E (DDR3-1333) Unbuffered CAS-9 Low Voltage Memory Kit	647909-B21
Load Reduced DIMMs (LRDIMMs)	
NOTE: The following memory is supported by the E5-2600 v2 series Processors.	
HP 32GB (1x32GB) Quad Rank x4 PC3-14900L (DDR3-1866) Load Reduced CAS-13 Memory Kit	708643-B21
Load Reduced DIMMs (LRDIMMs)	
NOTE: The following memory is supported by the E5-2600 series Processors.	
HP 32GB (1x32GB) Quad Rank x4 PC3L-10600L (DDR3-1333) Load Reduced CAS-9 Low Voltage Memory Kit	647903-B21
NOTE: All DDR3 memory option kits consist of one DIMM per kit. For detailed memory configuration rules and guidelines, please use the Online DDR3 Memory Configuration Tool: www.hp.com/go/ddr3memory-configurator .	
NOTE: Kits described as LP include Low Power DIMMs. For more information on ProLiant Energy Efficient Features, see: www.hp.com/go/proliant-energy-efficient	
NOTE: PC3L is a low voltage memory.	

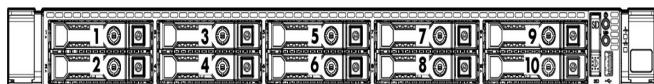
Storage



1-8 8 x SFF SATA/SAS/SSD Hot Pluggable Hard Drive Bays with Optical Media Bay option available for this configuration



1-4 4 x LFF SATA/SAS/SSD Hot Pluggable Hard Drives with Optical Media Bay option



1-10 10 x SFF SATA/SAS/SSD Hot Pluggable Hard Drives

Technical Specifications

System Unit	Dimensions (H x W x D)	8 SFF and 10 SFF	1.7 x 17.1 x 27.5 inches (4.32 x 43.47 x 69.85 cm)
		4 LFF	1.7 x 17.1 x 29.5 inches (4.32 x 43.47 x 74.67 cm)
Weight (approximate)		Maximum	8 SFF 42.3 lb (19.2 kg)
		(all hard drives, power supply, and processor installed)	10 SFF 42.3 lb (19.2 kg)
			4 LFF 45.6 lb (20.7 kg)
		Minimum	32 lb (14.51 kg)
Input Requirements (per power supply)		Rated Line Voltage	100 to 120 VAC 200 to 240 VAC
		Rated Input Current	4.5 Amps (at 120VAC) to 2.2 Amps (at 240 VAC)
		Rated Input Frequency	50 to 60 Hz
BTU Rating		Maximum	1773 BTU / hr (at 120 VAC), 1715 (at 240 VAC)
Power Supply Output (per power supply)		Rated Steady-State Power	460 W (at 100 to 120 VAC), 460 W (at 200 to 240 VAC)
			750 W (at 100 to 120 VAC), 750 W (at 200 to 240 VAC)
		Maximum Peak Power	460 W (at 100 to 120 VAC), 460 W (at 200 to 240 VAC)
			750 W (at 100 to 120 VAC), 750 W (at 200 to 240 VAC)
System Inlet Temperature		Operating	10° to 35°C (50° to 95°F) at sea level with an altitude derating of 1.0°C per every 304.8 m (1.8°F per every 1000 ft) above sea level to a maximum of 3048 m (10,000 ft), no direct sustained sunlight. Maximum rate of change is 10°C/hr (18°F/hr). The upper limit may be limited by the type and number of options installed. System performance may be reduced if operating with a fan fault or above 30°C (86°F).
		Non-operating	-30° to 60°C (-22° to 140°F). Maximum rate of change is 20°C/hr (36°F/hr).
Relative Humidity (non-condensing)		Operating	10 to 90% relative humidity (Rh), 28°C (82.4°F) maximum wet bulb temperature, non-condensing.
		Non-operating	5 to 95% relative humidity (Rh), 38.7°C (101.7°F) maximum wet bulb temperature, non-condensing.
Altitude		Operating	3048 m (10,000 ft). This value may be limited by the type and number of options installed. Maximum allowable altitude change rate is 457 m/min (1500 ft/min).
		Non-operating	9144 m (30,000 ft). Maximum allowable altitude change rate is 457 m/min (1500 ft/min).

Technical Specifications

Acoustic Noise

Listed are the declared A-Weighted sound power levels (LWAd) and declared average bystander position A-Weighted sound pressure levels (LpAm) when the product is operating in a 23°C ambient environment. Noise emissions were measured in accordance with ISO 7779 (ECMA 74) and declared in accordance with ISO 9296 (ECMA 109).

Idle (Note 1)

LWAd	5.1 B Average Bystander
LpAm	35.8 dBA

Operating

LWAd	5.4 B Average Bystander
LpAm	39.9 dBA

Idle (Note 2)

LWAd	5.2 B Average Bystander
LpAm	38 dBA

Operating

LWAd	5.9 B Average Bystander
LpAm	41.6 dBA

NOTE: Configuration tested included two Intel E5-2640, 2.5GHz processors, one 500GB SAS HDD, eight system fans, two 4GB RDIMM's 1333MHz, one 460W power supply.

NOTE: Configuration tested included two Intel E5-2640, 2.5GHz processors, four 500GB SAS HDD, eight system fans, sixteen 4GB RDIMM's 1333MHz, one 460W power supply, P421 HDD controller PCI card with 1GB cache.

NOTE: Values are subject to change without notification and are for reference only.

NOTE: Performance of system, options, and ancillary equipment will vary depending on the system configuration.

NOTE: Levels presented do not account for non-Hewlett-Packard installed hardware.

Emissions Classification (EMC)

FCC Rating	Class A
Normative Standards	CISPR 22; EN55022; EN55024; FCC CFR 47, Pt 15; ICES-003; CNS13438; GB9254; K22;K24; EN 61000-3-2; EN 61000-3-3; EN 60950-1; IEC 60950-1

NOTE: Product conformance to cited product specifications is based on sample (type) testing, evaluation, or assessment. This product or family of products is eligible to bear the appropriate compliance logos and statements.

Technical Specifications

HP Smart Array P420i Controller	Dimensions	Embedded
	Disk Drive and Enclosure Interface - Transfer rate	6Gb/s SAS (Serial Attached SCSI) 6Gb/s SATA (Serial ATA)
	SAS Connectors	2 internal 4X connectors
	Cache Memory Speed	512MB FBWC - DDR3-1333MHz with 40-bit wide bus, 1GB or 2 GB FBWC DDR3-1333MHz with 72-bit wide bus
	Server Interface	x8 PCIe 3.0 provides 2GB/s maximum bandwidth
	SAS Speed	8 6Gb/s SAS links provide 4.8GB/s maximum bandwidth
	Cache Memory	Zero Memory RAID has no cache memory 40-bit 512MB ECC protected flash back write cache 72-bit 1GB FBWC or 72-bit 2GB FBWC
	Logical Drives Supported	Zero Memory, Up to 2 logical volumes (8SFF or 4LFF physical drives) Up to 64 logical drives with cache
	Host Memory Addressing	64-bit, supporting greater than 4GB server memory space
	RAID Support	RAID 6, 60 (Advanced Data Guarding) RAID 5, 50 (Distributed Data Guarding) NOTE: A minimum of 512 MB cache is required to enable RAID 5, 50, 6, 60 NOTE: HP Smart Array Advanced Pack (SAAP 2.0) is no longer required to enable RAID 6 & 60 (Advanced Data Guarding). However, controller must be in firmware version 4.68 (or later). RAID 10 (Striping & Mirroring) RAID 0 (Striping), RAID 1 (Mirroring)

HP Ethernet 1Gb 4-port 331FLR Adapter	HP Flexible Network Technology	HP FlexibleNet Technology consists of replaceable network solutions to meet the customers require now or in the future. NOTE: Part of the DL360p Gen8 platform is the HP FlexibleLOM. The FlexibleLOM comes in multiple versions and is a removable card system similar to PCI cards. Shown here are the technical specifications for the HP Ethernet 1Gb 4-port 331FLR Adapter on most DL360p Gen8 BTO Entry, Base and Performance models.	
	Network Interface	10Base-T/100Base-TX/1000Base-TX	
	Compatibility	IEEE 802.3 10Base-T IEEE 802.3ab 1000Base-T IEEE 802.3u 100Base-TX IEEE 802.3ad 1000Base-TX IEEE 802.1p 100Base-TX IEEE 802.1q 100Base-TX	
	Data Transfer Method	PCI Express, four lanes (x4)	
	Chipset	BCM5719	
	Network Transfer Rate	10Base-T (Half-Duplex)	10 Mb/s
		10Base-T (Full-Duplex)	20 Mb/s
	100Base-TX (Half-Duplex)	100 Mb/s	
	100Base-TX (Full-Duplex)	200 Mb/s	

Technical Specifications

Connector Cable Support	1000Base-TX (Half and Full-Duplex)	2000Mb/s
	Two RJ-45	
	10Base-T	Categories 3, 4 or 5 UTP; up to 328 ft (100 m)
	100Base-TX	Category 5 or higher UTP; up to 328 ft (100 m)
	1000BaseTX	Category 5 or higher UTP; up to 328 ft (100 m)

Environment-friendly Products and Approach

End-of-life Management and Recycling

Hewlett-Packard offers end-of-life HP product return, trade-in, and recycling programs in many geographic areas. For trade-in information, please go to: <http://www.hp.com/go/green>. To recycle your product, please go to: <http://www.hp.com/go/green> or contact your nearest HP sales office. Products returned to HP will be recycled, recovered or disposed of in a responsible manner.

The EU WEEE directive (2002/95/EC) requires manufacturers to provide treatment information for each product type for use by treatment facilities. This information (product disassembly instructions) is posted on the Hewlett Packard web site at: <http://www.hp.com/go/green>. These instructions may be used by recyclers and other WEEE treatment facilities as well as HP OEM customers who integrate and re-sell HP equipment.

© Copyright 2013 Hewlett-Packard Development Company, L.P.

The information contained herein is subject to change without notice.
Microsoft and Windows NT are US registered trademarks of Microsoft Corporation.

The only warranties for HP products and services are set forth in the express warranty statements accompanying such products and services. Nothing herein should be construed as constituting an additional warranty. HP shall not be liable for technical or editorial errors or omissions contained herein.

For hard drives, 1GB = 1 billion bytes. Actual formatted capacity is less.